

# PARTS CATALOGUE

## *WaveRunner VXS*

**VX1800-N** (F2MK/6CNG/6CN2)

**VX1800-N** (F2ML/6CNH/6CN2)



1NF2M-100EA



VX1800-N  
PARTS CATALOGUE  
©2013 by Yamaha Motor Co., Ltd.  
1st edition, October 2013  
All rights reserved.  
Any reprinting or unauthorized use  
without the written permission of  
Yamaha Motor Co., Ltd.  
is expressly prohibited.  
Printed in Japan.

# FOREWORD

This Parts Catalogue is related to the parts for the model(s) on the cover page. When you are ordering replacement parts, please refer to this Parts Catalogue and quote both part numbers and part names correctly.

1. Modifications or additions which have been made after the issue of the Parts Catalogue will be announced in the Parts News.

It is advisable that you make the necessary corrections to the Parts Catalogue according to the Parts News.

2. Abbreviations

The following abbreviations are used in this Parts Catalogue.

“UR” Use specified parts number.

“UN” Use as many as needed.

“AP” Alternate Parts

“LM” Locally Made (Parts need to be ordered locally)

“F#” Frame No. (Applicable machine No.)

“O/S” Over Size

3. The number of components for assembly

- Parts, which are to be supplied in an assembly, are listed with a dot (.) in front of the part name as shown below.
- The numeral appearing to the right of each component part indicates the quantity of parts for each assembly unit.

PART NO.	DESCRIPTION	Q'TY	REMARKS
2F5-83310-60	FRONT FLASHER LIGHT ASSY	2	
115-83311-60	.BULB (6V-18W)	1	

4. Applicable colours of graphics are represented in the “REMARKS” as shown below.

PART NO.	DESCRIPTION	Q'TY	REMARKS
2N4-24110-00-X5	FUEL TANK COMP.	2	MXR
3J1-24240-10	.GRAPHIC, FUEL TANK	1	FOR MXR

5. Note that the illustrations for reference in finding parts numbers are not to be used for assembling. When assembling, please use the applicable service manual.

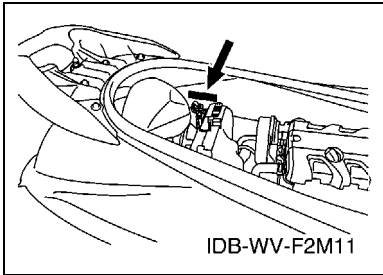
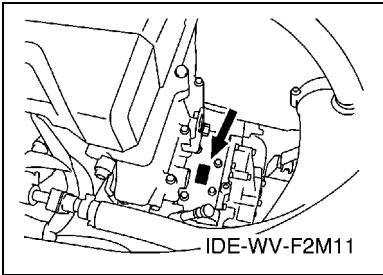
6. The asterisk (\*) before a reference number indicates modified items after the first edition.

# FOREWORD

7. Applicable Serial No.

Engine Serial No.

Primary Identification No.



8. Applicable Colour Code (The (\*) mark shows Model colour.)

Abbreviation	Colour Name	Colour Code
LGM3(*)	LIGHT GRAY METALLIC 3	0137

9. Quantity Column Information

Column No.	Name Of Q'ty Column	Destination
1	CAN	CANADA
2	EUR	EUROPE

10. Applicable Starting Serial No.

Engine Serial No.

Serial No.	Name Of Q'ty Column	Model Code
6CN-1014701	CAN	6CNG
6CN-1014701	EUR	6CNH

Primary Identification No.

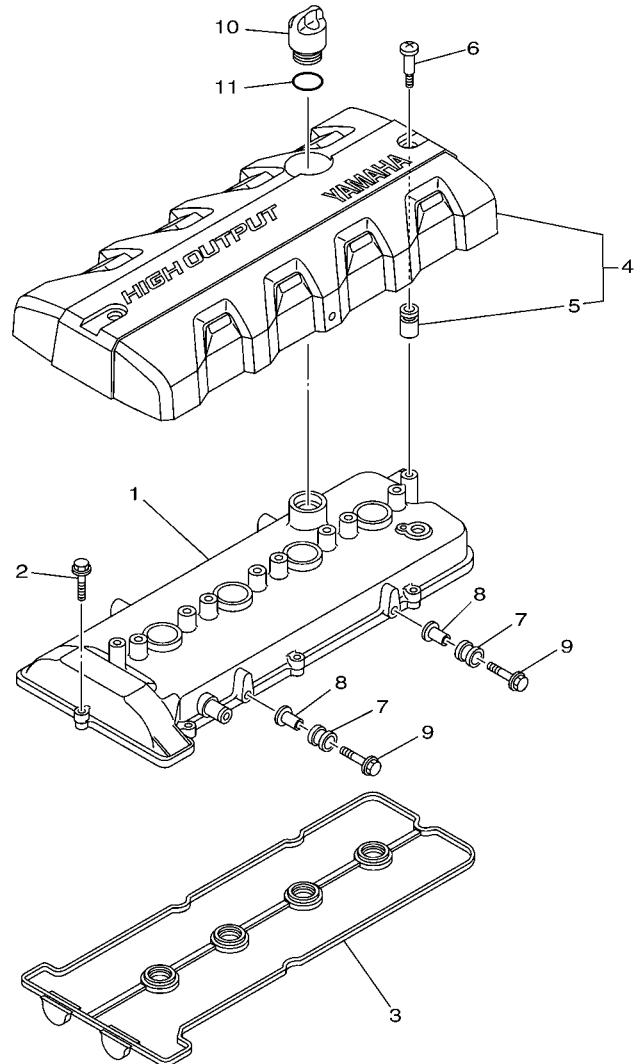
Serial No.	Name Of Q'ty Column	Model Code
F2M-814701	CAN	F2MK
F2M-814701	EUR	F2ML

# CONTENTS

CYLINDER 1 .....	1
CYLINDER 2 .....	2
CRANKCASE .....	3
CRANKSHAFT & PISTON .....	5
VALVE .....	6
INTAKE 1 .....	8
INTAKE 2 .....	10
OIL PUMP .....	11
OIL PAN .....	12
OIL COOLER .....	13
BREATHER OIL .....	14
EXHAUST 1 .....	15
EXHAUST 2 .....	16
JET UNIT 1 .....	18
JET UNIT 2 .....	20
JET UNIT 3 .....	21
JET UNIT 4 .....	22
GENERATOR .....	23
STARTING MOTOR .....	24
ELECTRICAL 1 .....	25
ELECTRICAL 2 .....	27
ELECTRICAL 3 .....	29
ENGINE MOUNT .....	31
ENGINE HATCH 1 .....	32
ENGINE HATCH 2 .....	33
HULL & DECK .....	35
GUNWALE & MAT .....	37
VENTILATION .....	38
SEAT & UNDER LOCKER .....	39
FUEL TANK .....	40
EXHAUST 3 .....	42
CONTROL CABLE .....	43
STEERING 1 .....	44
STEERING 2 .....	46
GRAPHICS .....	47
IMPORTANT LABELS .....	48
IMPORTANT LABELS 2 .....	49
REPAIR KIT 1 .....	50

## INDEX

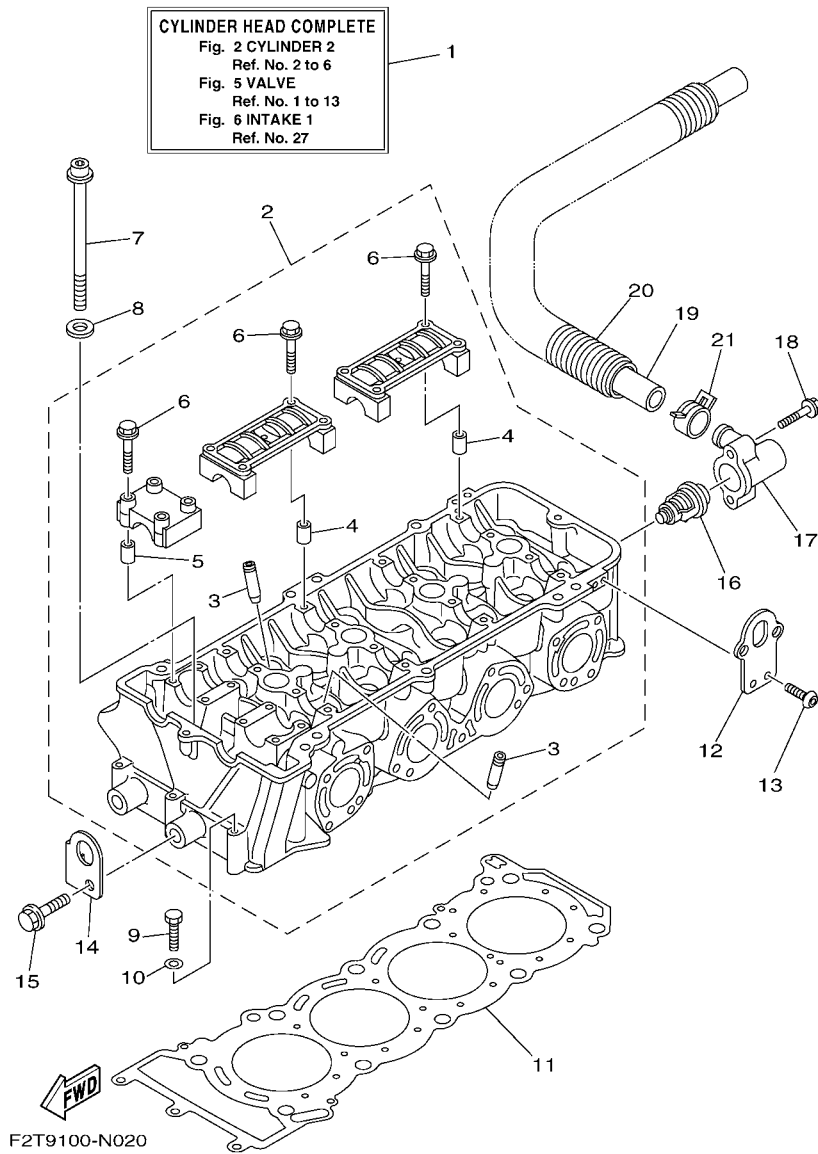
NUMERICAL INDEX .....	52
-----------------------	----



  
F2M7100-L010

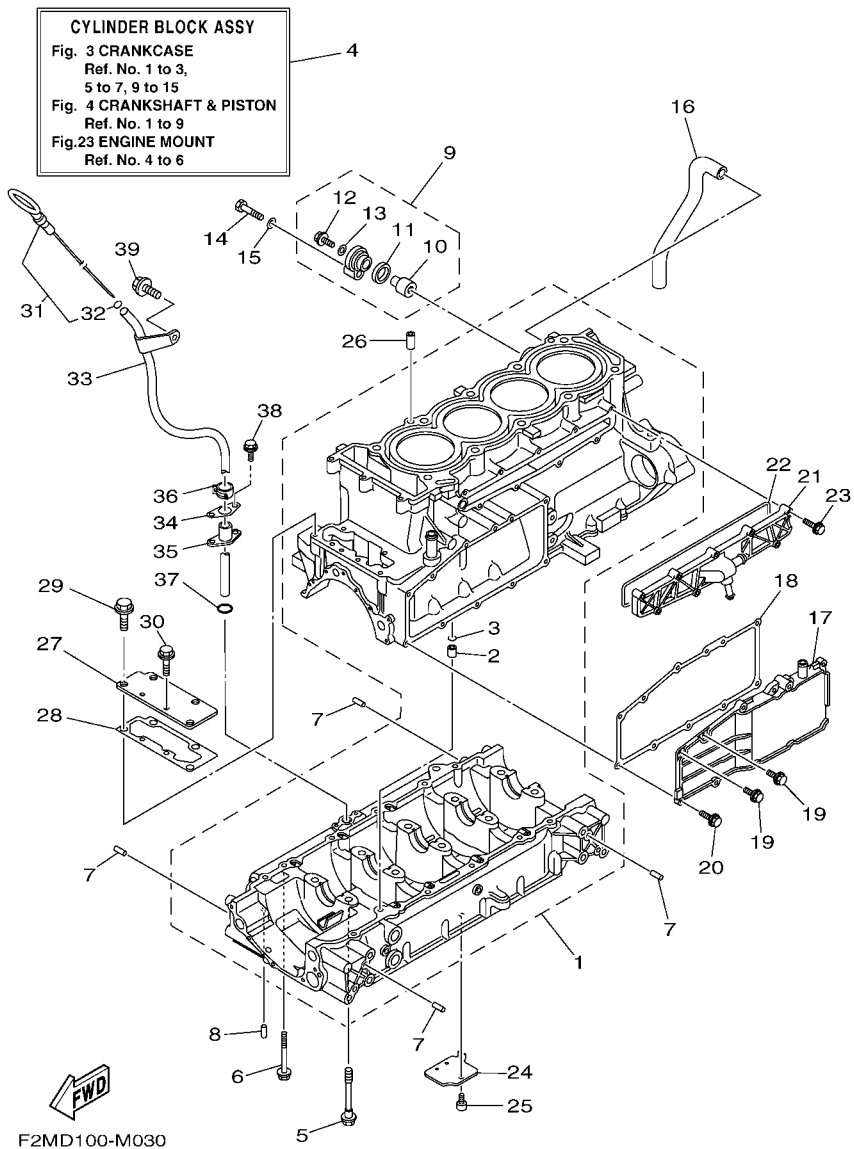
**FIG. 1 CYLINDER 1**

REF. NO.	PART NO.	DESCRIPTION	CAN	EUR			REMARKS
			1	1			
1	6BH-11191-20	COVER, CYLINDER HEAD 1	1	1			
2	90105-06028	BOLT, FLANGE	8	8			
3	6BH-11193-00	GASKET, HEAD COVER 1	1	1			
4	6BH-E110M-00	COVER ASSY 1	1	1			
5	6S5-E1328-00	.GROMMET, ANODE	1	1			
6	6S5-E118E-00	BOLT, COVER MOUNTING	2	2			
7	61N-82317-00	DAMPER, IGNITION COIL	2	2			
8	90387-06119	COLLAR	2	2			
9	95824-06025	BOLT, FLANGE	2	2			
10	6S5-15363-00	PLUG, OIL	1	1			
11	93210-24M79	O-RING	1	1			



**FIG. 2 CYLINDER 2**

REF. NO.	PART NO.	DESCRIPTION	CAN	EUR			REMARKS
1	6BH-W009A-02-94	CYLINDER HEAD COMPLETE	1	1			
2	6BH-11102-11	CYLINDER HEAD ASSY	1	1			
3	6S5-11133-10	.GUIDE, VALVE 1	16	16			
4	91809-16002	.PIN, DOWEL	8	8			
5	91809-16002	.PIN, DOWEL	4	4			
6	90105-07009	.BOLT, FLANGE	24	24			
7	6S5-12228-01	BOLT	10	10			
8	90201-12039	WASHER, PLATE	10	10			
9	97013-06055	BOLT	3	3			
10	92903-06600	WASHER, PLATE	3	3			
11	6BH-11181-00	GASKET, CYLINDER HEAD 1	1	1			
12	6BH-1111E-00	HANGER, ENGINE 2	2	2			
13	92014-06012	BOLT, BUTTON HEAD	4	4			
14	6BH-11119-00	HANGER, ENGINE	1	1			
15	97513-10525	BOLT, WITH WASHER	1	1			
16	6D3-12411-00	THERMOSTAT	1	1			
17	6BH-12413-00	COVER, THERMOSTAT	1	1			
18	90105-06035	BOLT, FLANGE	2	2			
19	6S5-12578-00	HOSE 3	1	1			
20	90447-28008	TUBE (L850)	1	1			
21	90467-240A0	CLIP	1	1			

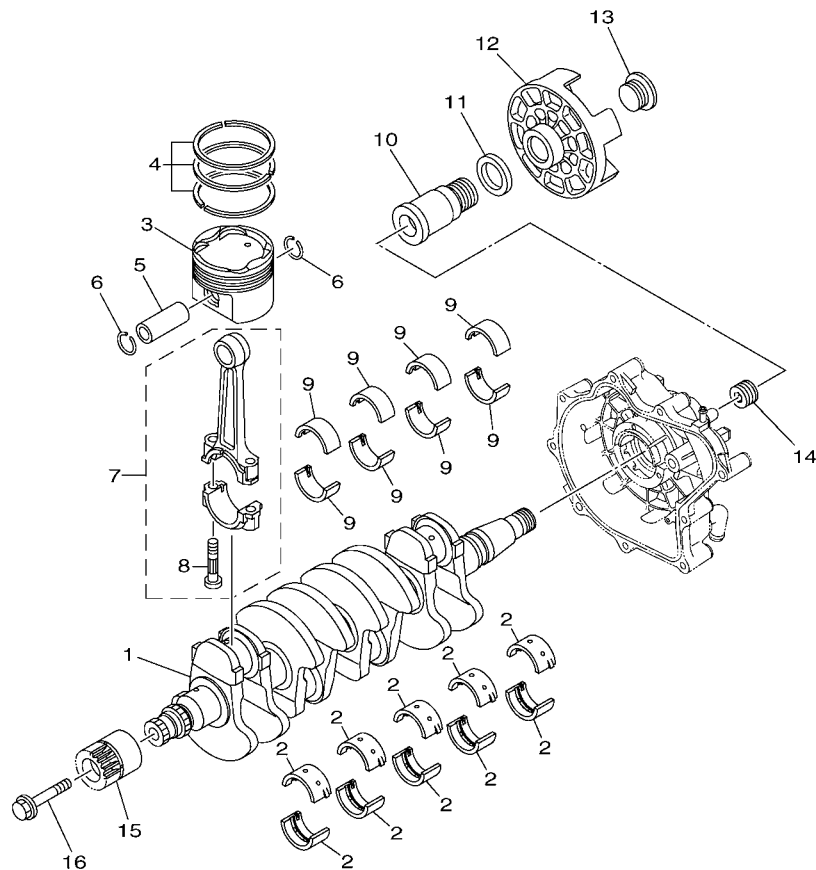


**FIG. 3 CRANKCASE**

REF. NO.	PART NO.	DESCRIPTION	CAN	EUR			REMARKS
1	6CR-15100-11	CRANKCASE ASSY	1	1			
2	99530-10114	.PIN, DOWEL	1	1			
3	93210-11453	.O-RING	1	1			
4	6CR-W009B-10-94	CYLINDER BLOCK ASSY	1	1			
5	90105-10071	BOLT, FLANGE	10	10			
6	95814-06070	BOLT, FLANGE	12	12			
7	93606-12019	PIN, DOWEL	8	8			
8	93604-10M03	PIN, DOWEL	2	2			
9	69J-11301-10	ANODE COVER ASSY	1	1			
10	68V-11325-02	.ANODE	1	1			
11	67F-11328-00	.GROMMET, ANODE	1	1			
12	90105-06M07	.BOLT, FLANGE	1	1			
13	90430-06M03	.GASKET	1	1			
14	97095-08040	BOLT	1	1			
15	92995-08600	WASHER	1	1			
16	6S5-11377-00	HOSE	1	1			
17	6S5-1131M-10-8P	COVER	1	1			
18	6BH-13557-00	GASKET	1	1			
19	95024-06014	BOLT, FLG.(SMALL HEAD)	2	2			
20	95024-06020	BOLT, FLG.(SMALL HEAD)	9	9			
21	6CS-12469-A0	JOINT 1	1	1			
22	6CS-12517-00	GASKET, WATER INLET	1	1			
23	95814-06035	BOLT, FLANGE	9	9			
24	6S5-13337-10	PLATE, BAFFLE LOWER	1	1			
25	90110-06182	BOLT, HEXAGON SOCKET HEAD	1	1			
26	99530-10114	PIN, DOWEL	2	2			
27	6BH-1131C-00	COVER, JOINT	1	1			



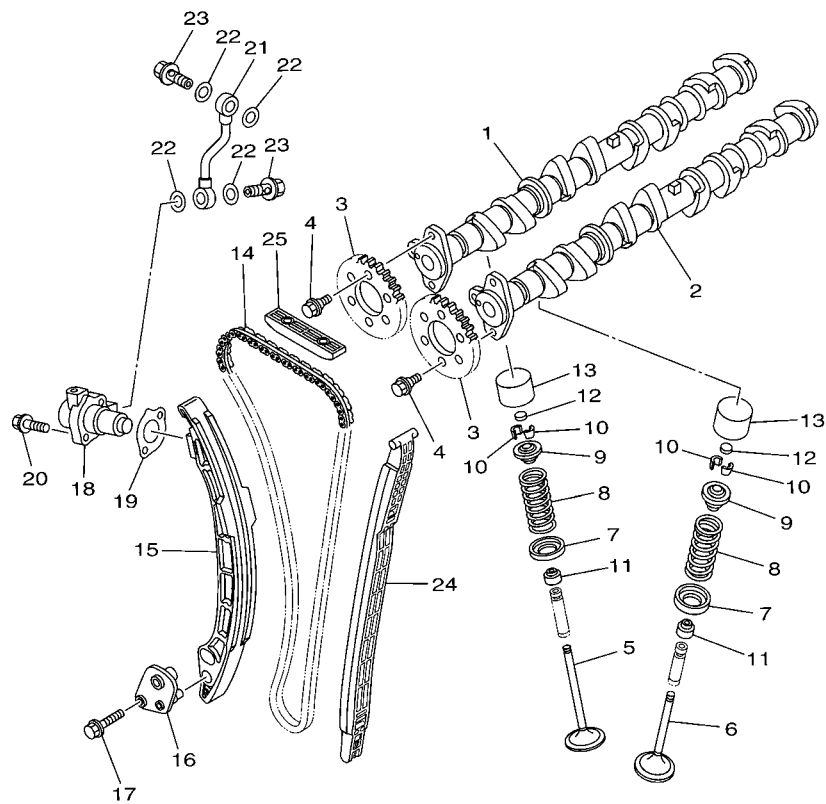




  
F3A5110-M040

**FIG. 4 CRANKSHAFT & PISTON**

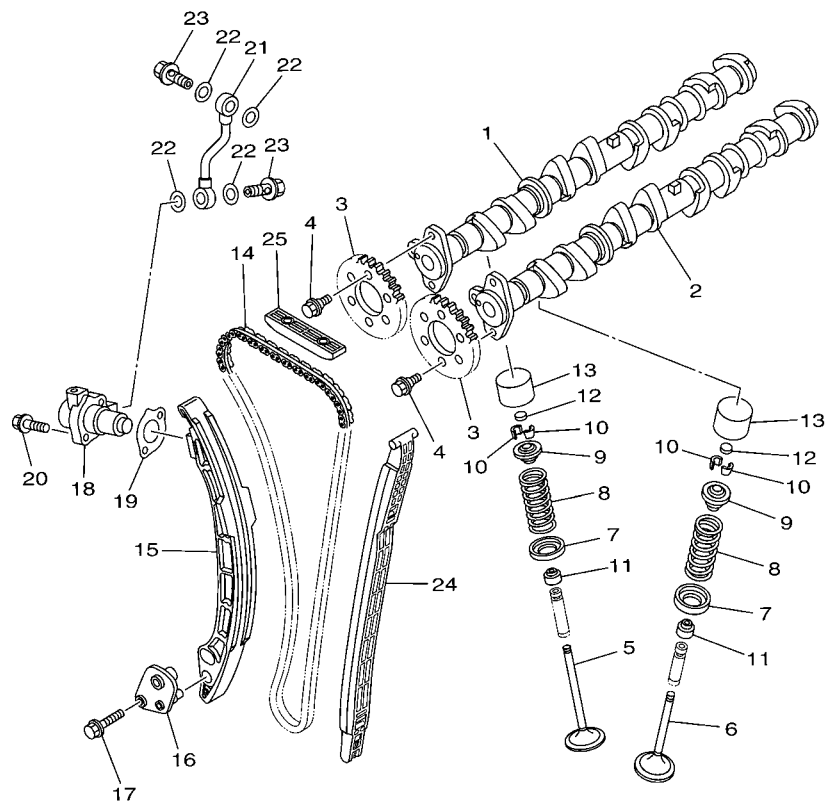
REF. NO.	PART NO.	DESCRIPTION	CAN	EUR		REMARKS
1	6S5-11411-00	CRANKSHAFT	1	1		
2	6S5-11416-00	PLANE BEARING, CRANKSHAFT 1	10	10		UR BROWN
	6S5-11416-10	PLANE BEARING, CRANKSHAFT 1	10	10		UR BLACK
	6S5-11416-20	PLANE BEARING, CRANKSHAFT 1	10	10		UR BLUE
	6S5-11416-30	PLANE BEARING, CRANKSHAFT 1	10	10		UR GREEN
	6S5-11416-40	PLANE BEARING, CRANKSHAFT 1	10	10		UR YELLOW
3	6BH-11631-00-B0	PISTON (STD)	4	4		
4	6S5-11603-00	PISTON RING SET (STD)	4	4		
5	6S5-11633-00	PIN, PISTON	4	4		
6	93450-24028	CIRCLIP	8	8		
7	6BH-11650-10	CONNECTING ROD ASSY	4	4		
8	6S5-11654-10	.BOLT, CONNECTING ROD	2	2		
9	6S5-11656-40	PLANE BEARING, CONNECTING ROD	8	8		UR BLUE
	6S5-11656-50	PLANE BEARING, CONNECTING ROD	8	8		UR BLACK
	6S5-11656-60	PLANE BEARING, CONNECTING ROD	8	8		UR BROWN
	6S5-11656-70	PLANE BEARING, CONNECTING ROD	8	8		UR GREEN
10	6S5-17572-01	SHAFT, TRANSFER	1	1		
11	6S5-12289-00	WASHER	1	1		
12	6S5-45813-01-94	FLANGE, COUPLING	1	1		
13	6S5-17525-01	HOLDER 2	1	1		
14	6S5-11459-01	NUT, SPECIAL	1	1		
15	6BH-17586-10	GEAR, TRANSFER DRIVE	1	1		
16	6S5-17031-00	BOLT	1	1		



  
F2H1100-H050

**FIG. 5 VALVE**

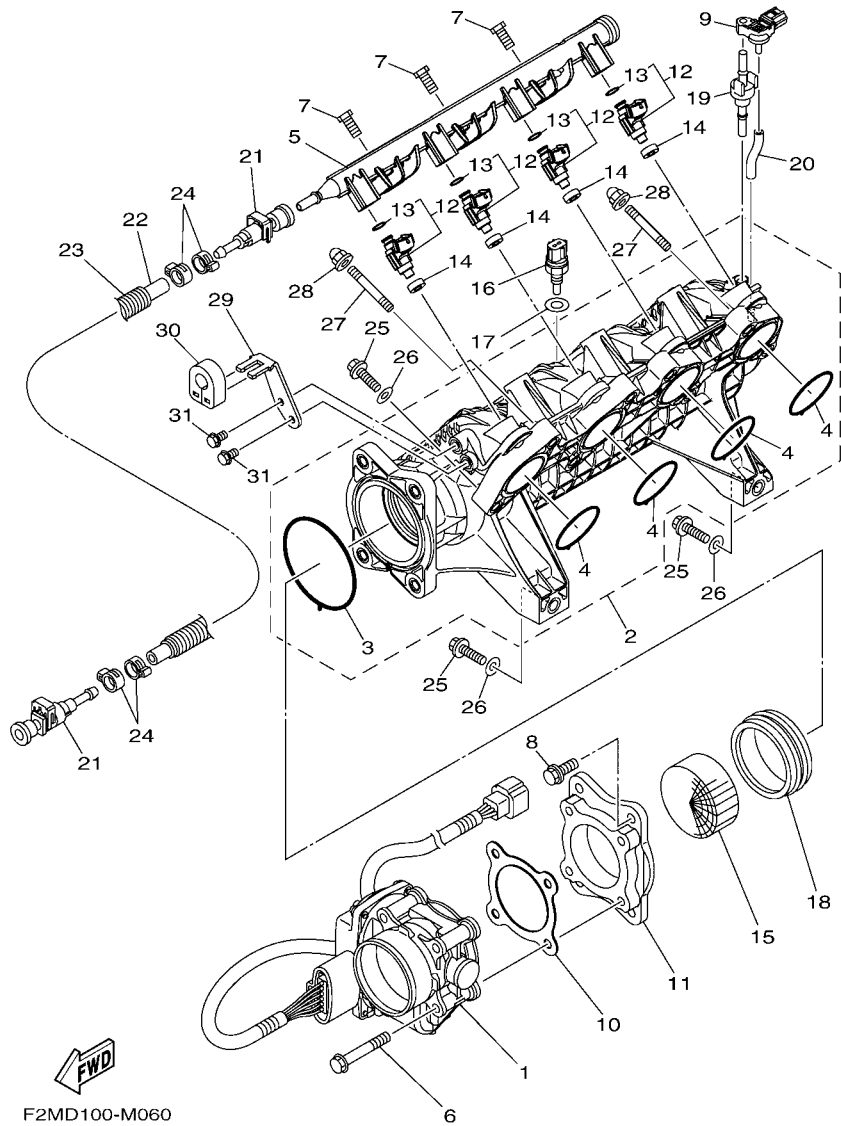
REF. NO.	PART NO.	DESCRIPTION	CAN	EUR		REMARKS
1	6BH-12171-10	CAMSHAFT 1	1	1		
2	6BH-12181-10	CAMSHAFT 2	1	1		
3	6D3-12176-10	SPROCKET, CAM CHAIN	2	2		
4	90105-07004	BOLT, FLANGE	4	4		
5	6S5-12111-00	VALVE, INTAKE	8	8		
6	6S5-12121-00	VALVE, EXHAUST	8	8		
7	6S5-12116-00	SEAT, VALVE SPRING	16	16		
8	6S5-12113-00	SPRING, VALVE INNER	16	16		
9	6S5-12117-00	RETAINER, VALVE SPRING	16	16		
10	3LD-12118-00	LOCK, VALVE SPRING RETAINER	32	32		
11	51Y-12119-00	SEAL, VALVE STEM	16	16		
12	3LD-12168-00	PAD, ADJUSTING (1.20)	16	16		UR
	3LD-12168-20	PAD, ADJUSTING (1.25)	16	16		UR
	3LD-12168-40	PAD, ADJUSTING (1.30)	16	16		UR
	3LD-12168-60	PAD, ADJUSTING (1.35)	16	16		UR
	3LD-12168-80	PAD, ADJUSTING (1.40)	16	16		UR
	3LD-12168-A0	PAD, ADJUSTING (1.45)	16	16		UR
	3LD-12168-F0	PAD, ADJUSTING (1.50)	16	16		UR
	3LD-12168-H1	PAD, ADJUSTING (1.55)	16	16		UR
	3LD-12168-K1	PAD, ADJUSTING (1.60)	16	16		UR
	3LD-12168-M1	PAD, ADJUSTING (1.65)	16	16		UR
	3LD-12168-R1	PAD, ADJUSTING (1.70)	16	16		UR
	3LD-12168-U1	PAD, ADJUSTING (1.75)	16	16		UR
	3LD-12168-W1	PAD, ADJUSTING (1.80)	16	16		UR
	3LD-12168-Y1	PAD, ADJUSTING (1.85)	16	16		UR
	3LD-12169-11	PAD, ADJUSTING (1.90)	16	16		UR
	3LD-12169-31	PAD, ADJUSTING (1.95)	16	16		UR



  
 F2H1100-H050

**FIG. 5 VALVE**

REF. NO.	PART NO.	DESCRIPTION	CAN	EUR		REMARKS
12	3LD-12169-50	PAD, ADJUSTING (2.00)	16	16		UR
	3LD-12169-70	PAD, ADJUSTING (2.05)	16	16		UR
	3LD-12169-90	PAD, ADJUSTING (2.10)	16	16		UR
	3LD-12169-E0	PAD, ADJUSTING (2.15)	16	16		UR
	3LD-12169-G0	PAD, ADJUSTING (2.20)	16	16		UR
	3LD-12169-J0	PAD, ADJUSTING (2.25)	16	16		UR
	3LD-12169-L0	PAD, ADJUSTING (2.30)	16	16		UR
13	6S5-12153-00	LIFTER, VALVE	16	16		
14	94591-66152	CHAIN	1	1		
15	6BH-12252-00	DAMPER, CHAIN 2	1	1		
16	6BH-12279-00	PLATE	1	1		
17	95814-06030	BOLT, FLANGE	2	2		
18	6S5-12210-00	TENSIONER ASSY, CAM CHAIN	1	1		
19	6S5-121E2-00	GASKET	1	1		
20	91380-06025	BOLT	2	2		
21	6S5-13418-00	PIPE, OIL 2	1	1		
22	90430-10007	GASKET	4	4		
23	90401-10040	BOLT, UNION	2	2		
24	6BH-12251-00	DAMPER, CHAIN 1	1	1		
25	6BH-12241-00	GUIDE, STOPPER 2	1	1		

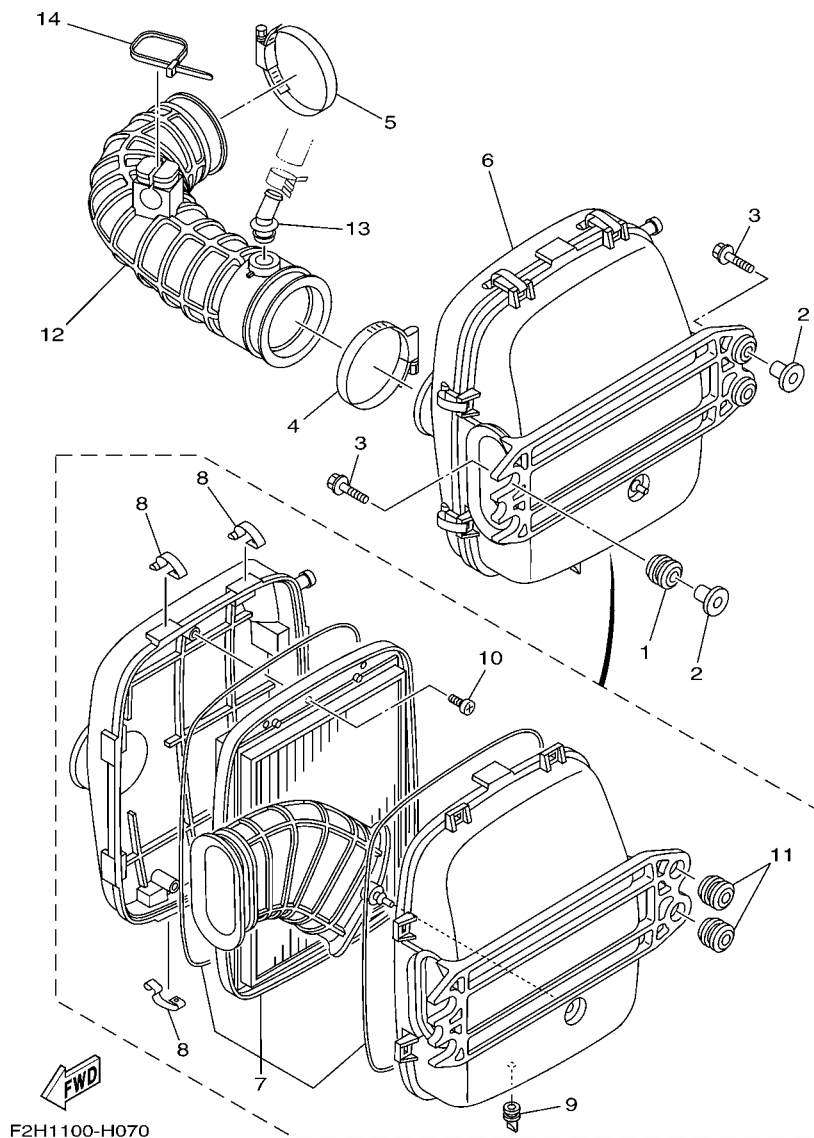


F2MD100-M060

FIG. 6 INTAKE 1

REF. NO.	PART NO.	DESCRIPTION	CAN	EUR	REMARKS
1	6BH-13750-00	THROTTLE BODY ASSY	1	1	
2	6BH-13641-10	MANIFOLD, INTAKE 1	1	1	
3	6BH-14156-00	.GASKET, INSULATING	1	1	
4	6BH-14126-00	.GASKET	4	4	
5	6CS-12880-00	DELIVERY PIPE	1	1	
6	90105-08243	BOLT, FLANGE	4	4	
7	6CS-14446-00	BOLT	3	3	
8	97513-08525	BOLT, WITH WASHER	4	4	
9	6BH-82380-00	SENSOR, PRESSURE	1	1	
10	6CR-14536-00	GASKET	1	1	
11	6CR-14163-00	SPACER	1	1	
12	6S5-13761-10	INJECTOR	4	4	
13	68V-1416A-00	.O-RING	1	1	
14	8FP-13556-10	GASKET, MANIFOLD	4	4	
15	6D3-1444B-00	RIBBON	1	1	
16	65L-85886-00	THERMOSENSOR	1	1	
17	6S5-14285-00	WASHER	1	1	
18	6S5-14457-00	HOLDER	1	1	
19	6BH-14445-00	GROMMET	1	1	
20	6BH-13532-00	HOSE, VACUUM SENSING 3	1	1	
21	6S5-24300-01	FUEL PIPE JOINT	2	2	
22	6CN-14294-10	HOSE	1	1	
23	90447-19020	TUBE (L610)	1	1	
24	90450-17M17	HOSE CLAMP ASSY	4	4	
25	97013-08035	BOLT	8	8	
26	92903-08600	WASHER, PLATE	8	8	
27	90116-08032	BOLT, STUD	2	2	





F2H1100-H070

FIG. 7 INTAKE 2

REF. NO.	PART NO.	DESCRIPTION	CAN	EUR			REMARKS
1	90480-22M15	GROMMET	2	2			
2	90387-08M37	COLLAR	4	4			
3	90119-08M22	BOLT, WITH WASHER	4	4			
4	90450-90002	HOSE CLAMP ASSY	1	1			
5	90450-90002	HOSE CLAMP ASSY	1	1			
6	6S5-E4410-01	AIR CLEANER ASSY.	1	1			
7	6S5-E4451-00	.ELEMENT, AIR CLEANER	1	1			
8	6S5-E4436-00	.HOOK	8	8			
9	6S5-G2717-00	.RUBBER, SEAL 2	1	1			
10	97780-60516	.SCREW, TAPPING	3	3			
11	90480-22801	.GROMMET	2	2			
12	6BH-E4419-00	PIPE	1	1			
13	6BH-R1142-10	CONNECTION	1	1			
14	90464-40825	CLAMP	1	1			

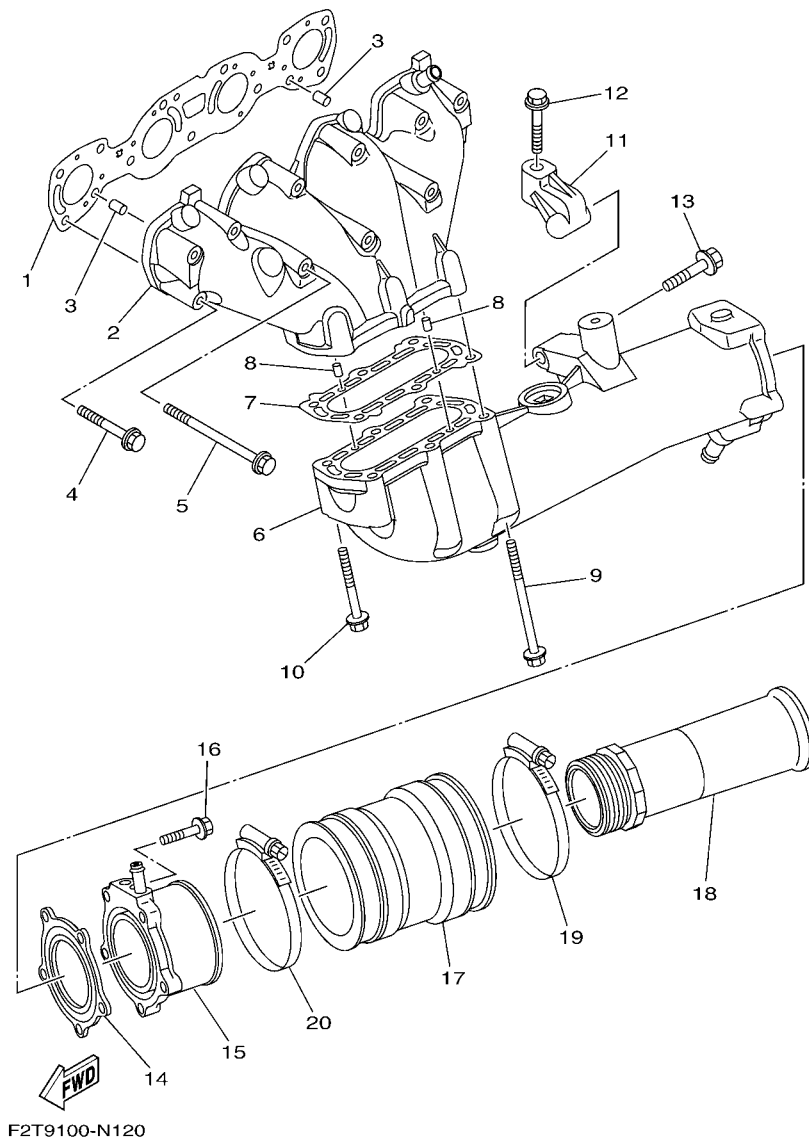








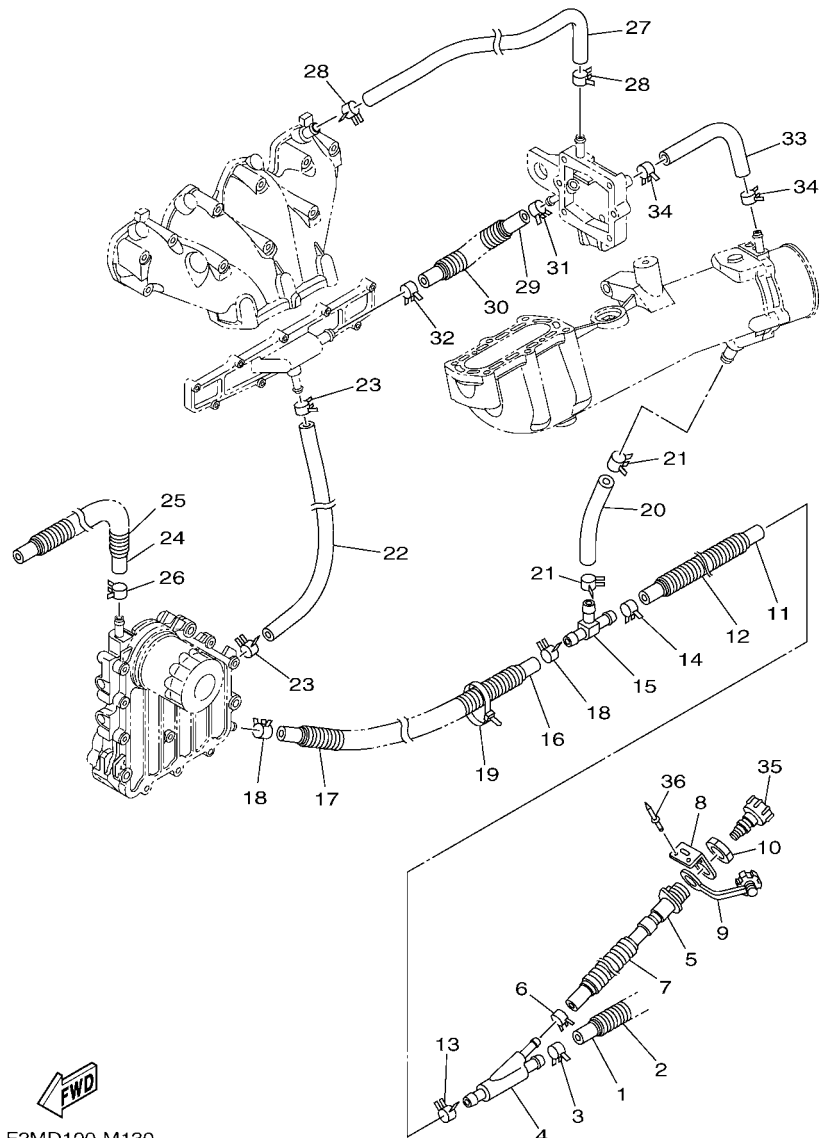




F2T9100-N120

FIG. 12 EXHAUST 1

REF. NO.	PART NO.	DESCRIPTION	CAN	EUR			REMARKS
1	6BH-14613-00	GASKET, EXHAUST PIPE	1	1			
2	6BH-14711-10	MUFFLER 1	1	1			
3	93608-16M16	PIN, DOWEL	2	2			
4	90119-08034	BOLT, WITH WASHER	8	8			
5	90119-08097	BOLT, WITH WASHER	3	3			
6	6BH-14721-10	MUFFLER 2	1	1			
7	6S5-14739-00	GASKET, MUFFLER DAMPER 1	1	1			
8	93606-12019	PIN, DOWEL	2	2			
9	90119-08097	BOLT, WITH WASHER	4	4			
10	90119-08034	BOLT, WITH WASHER	2	2			
11	6S5-14771-00-94	STAY, MUFFLER 1	1	1			
12	90119-08096	BOLT, WITH WASHER	1	1			
13	90119-10029	BOLT, WITH WASHER	1	1			
14	6BH-14749-00	GASKET, MUFFLER DAMPER 2	1	1			
15	6BH-14784-01-94	PIPE, TAIL	1	1			
16	95024-08035	BOLT, FLG.(SMALL HEAD)	5	5			
17	6S5-E4752-00	PIPE, OUTLET	1	1			
18	6CS-1475A-00	PIPE 1	1	1			
19	90450-99016	HOSE CLAMP ASSY	1	1			
20	90450-99015	HOSE CLAMP ASSY	1	1			



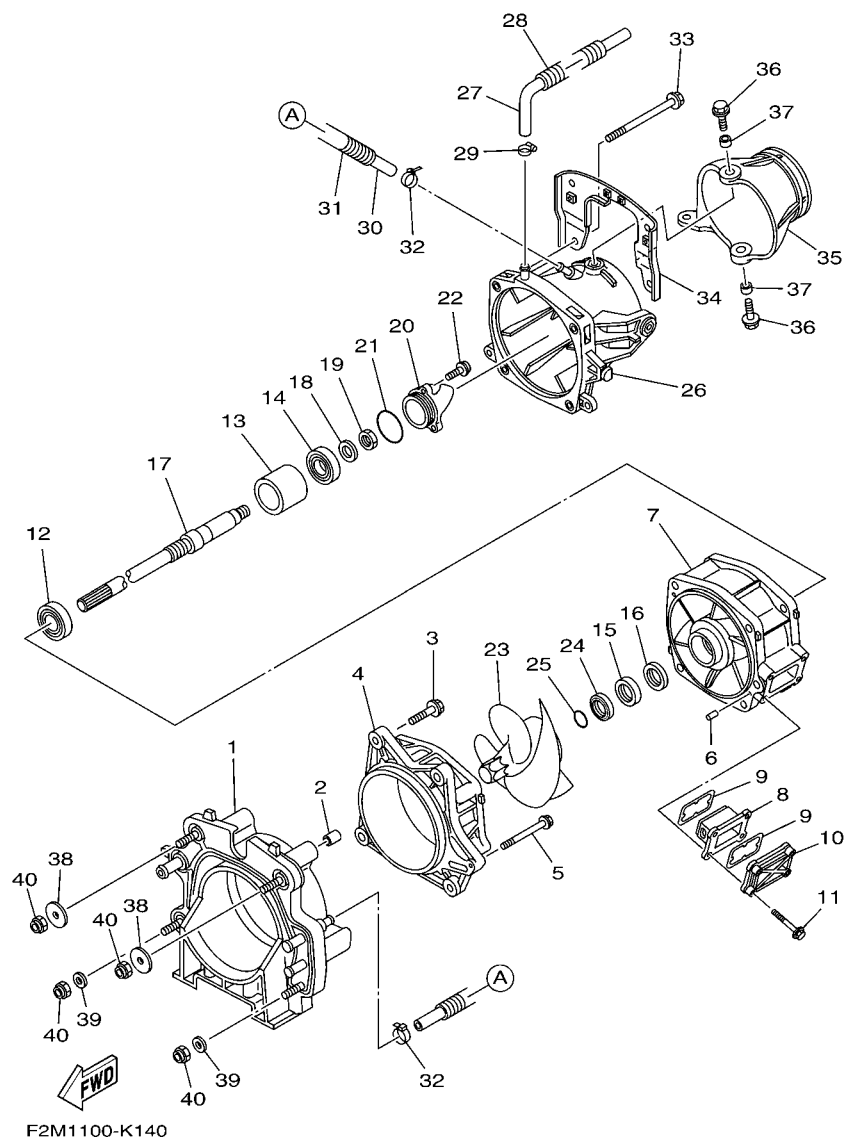
F2MD100-M130

FIG. 13 EXHAUST 2

REF. NO.	PART NO.	DESCRIPTION	CAN	EUR			REMARKS
1	90445-21806	HOSE (L250)	1	1			
2	90447-22801	TUBE (L200)	1	1			
3	90467-200A3	CLIP	1	1			
4	60E-12581-00	JOINT, HOSE 1	1	1			
5	63M-12580-00	JOINT ASSY	1	1			
6	90467-150A5	CLIP	1	1			
7	90447-19801	TUBE (L485)	1	1			
8	60E-12443-00	STAY	1	1			
9	682-84385-01	CAP,1	1	1			
10	EU0-61652-00	NUT	1	1			
11	6S5-1243E-01	HOSE 2	1	1			
12	90447-22011	TUBE (L170)	1	1			
13	90467-200A3	CLIP	1	1			
14	90467-200A3	CLIP	1	1			
15	6BH-12584-00	JOINT, HOSE 3	1	1			
16	90445-18012	HOSE (L400)	1	1			
17	90447-19005	TUBE (L260)	1	1			
18	90467-160A0	CLIP	2	2			
19	90464-35132	CLAMP	1	1			
20	6S5-12589-01	HOSE 6	1	1			
21	90467-200A3	CLIP	2	2			
22	6BH-1244H-00	HOSE 5	1	1			
23	90467-150A1	CLIP	2	2			
24	6CN-12588-00	HOSE 5	1	1			
25	90447-19021	TUBE (L860)	1	1			
26	90467-160A0	CLIP	1	1			
27	6BH-12577-00	HOSE 2	1	1			



FIG. 14 JET UNIT 1



REF. NO.	PART NO.	DESCRIPTION	CAN	EUR	REMARKS
1	6AN-G5831-00	PLATE, TRANSOM	1	1	
2	99590-14016	PIN, DOWEL	2	2	
3	90119-10810	BOLT, WITH WASHER	4	4	
4	66V-51312-01-94	HOUSING, IMPELLER	1	1	
5	90119-06893	BOLT, WITH WASHER	1	1	
6	93606-12019	PIN, DOWEL	2	2	
7	6S5-51315-01-94	DUCT, IMPELLER	1	1	
8	6AN-G6882-00	FILTER	1	1	
9	66V-42414-00	O-RING	2	2	
10	6AN-G5214-00-94	COVER, WATER INLET 1	1	1	
11	90119-06897	BOLT, WITH WASHER	4	4	
12	93306-20654	BEARING	1	1	
13	6CS-G5538-00	SPACER 1	1	1	
14	93306-30537	BEARING	1	1	
15	93102-31009	OIL SEAL	1	1	
16	93101-31001	OIL SEAL	1	1	
17	6S5-45511-00	SHAFT, DRIVE	1	1	
18	9290P-20600	WASHER	1	1	
19	90170-20802	NUT	1	1	
20	6AN-R1326-00-94	CAP	1	1	
21	6S5-5111K-00	O-RING 1	1	1	
22	90110-06822	BOLT, HEXAGON SOCKET HEAD	3	3	
23	6AP-R1321-01	IMPELLER	1	1	
24	6BH-51348-01	SPACER	1	1	
25	93210-30611	O-RING	1	1	
26	6BU-R1318-01	NOZZLE	1	1	
27	6CN-U72M2-00	HOSE 1	1	1	





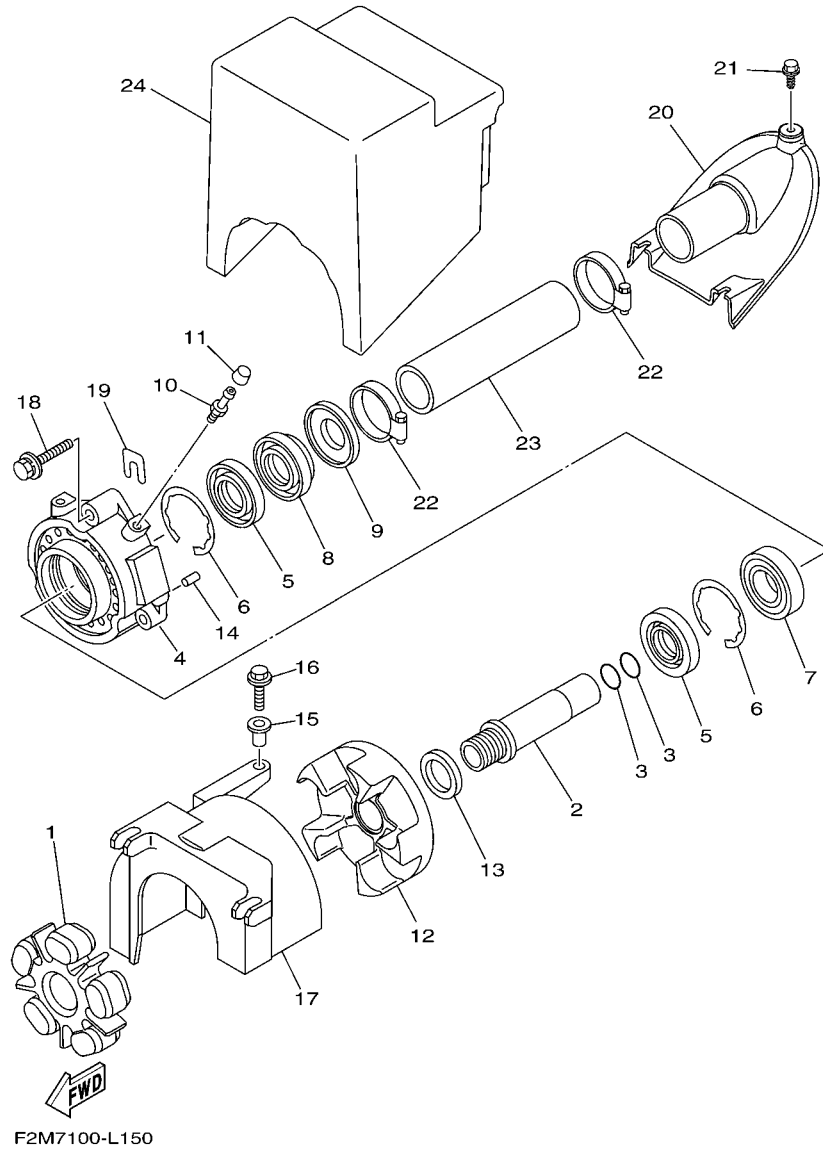
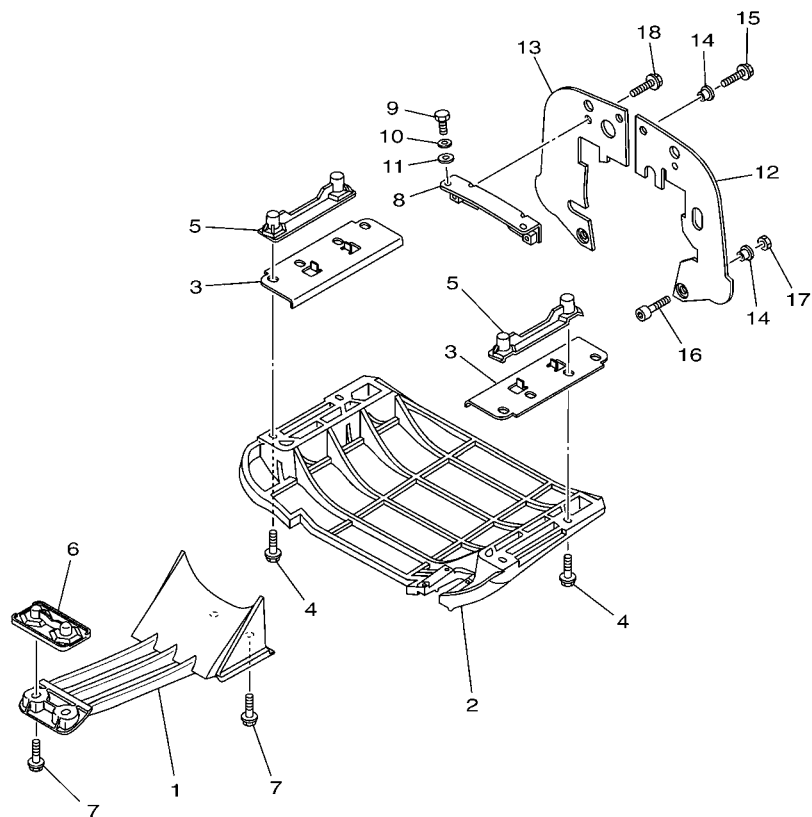


FIG. 15 JET UNIT 2

REF. NO.	PART NO.	DESCRIPTION	CAN	EUR	REMARKS
1	6BH-4581J-00	RUBBER SHAFT COUPLING	1	1	
2	6S5-51323-00	SHAFT, COUPLER	1	1	
3	93210-22MF1	O-RING	2	2	
4	6S5-45332-00-94	HOUSING, BEARING	1	1	
5	93102-29008	OIL SEAL	2	2	
6	93450-66156	CIRCLIP	2	2	
7	93306-20655	BEARING	1	1	
8	93102-29009	OIL SEAL	1	1	
9	6S5-45613-10	WASHER, THRUST	1	1	
10	93700-06M03	NIPPLE, GREASE	1	1	
11	663-45119-00	CAP, GREASE NIPPLE	1	1	
12	6S5-45593-00-94	FLANGE, COUPLING 1	1	1	
13	6S5-12289-00	WASHER	1	1	
14	93606-12019	PIN, DOWEL	2	2	
15	90387-06289	COLLAR	1	1	
16	90119-06891	BOLT, WITH WASHER	1	1	
17	6S5-R1381-01	COVER	1	1	
18	90119-089UU	BOLT, WITH WASHER	3	3	
19	GD0-U7249-00-05	SHIM (T=0.5)	2	2	UN
20	F2N-U883E-00	JOINT, PIPE	1	1	
21	90109-06832	BOLT	3	3	
22	90601-155U4	BAND, HOSE 55	2	2	
23	F2M-U883B-00	PIPE, 1	1	1	
24	F1K-U892D-00	FLOTATION, STERN	1	1	



FIG. 17 JET UNIT 4



  
F2M1100-K170

REF. NO.	PART NO.	DESCRIPTION	CAN	EUR			REMARKS
1	6CN-R1333-00	SCREEN, INTAKE	1	1			
2	F1K-U273B-06	PLATE 2	1	1			
3	F2M-U143G-00	SPACER	2	2			
4	90119-08823	BOLT, WITH WASHER	4	4			
5	F1G-U8572-02	BRACKET 2	2	2			
6	F2C-U8577-03	BRACKET, 3	1	1			
7	90119-10808	BOLT, WITH WASHER	4	4			
8	F1K-U7557-01	BRACKET	1	1			
9	90109-08041	BOLT	2	2			
10	92990-12200	WASHER, PLAIN	2	2			
11	90430-12002	GASKET	2	2			
12	F1K-U757E-01	PLATE, RUBBER 1	1	1			
13	F1K-U757F-01	PLATE, RUBBER 2	1	1			
14	90387-06080	COLLAR	6	6			
15	90119-06882	BOLT, WITH WASHER	4	4			
16	90101-069U0	BOLT	2	2			
17	9572R-06300	NUT, NYLON	2	2			
18	90119-089U7	BOLT, WITH WASHER	2	2			

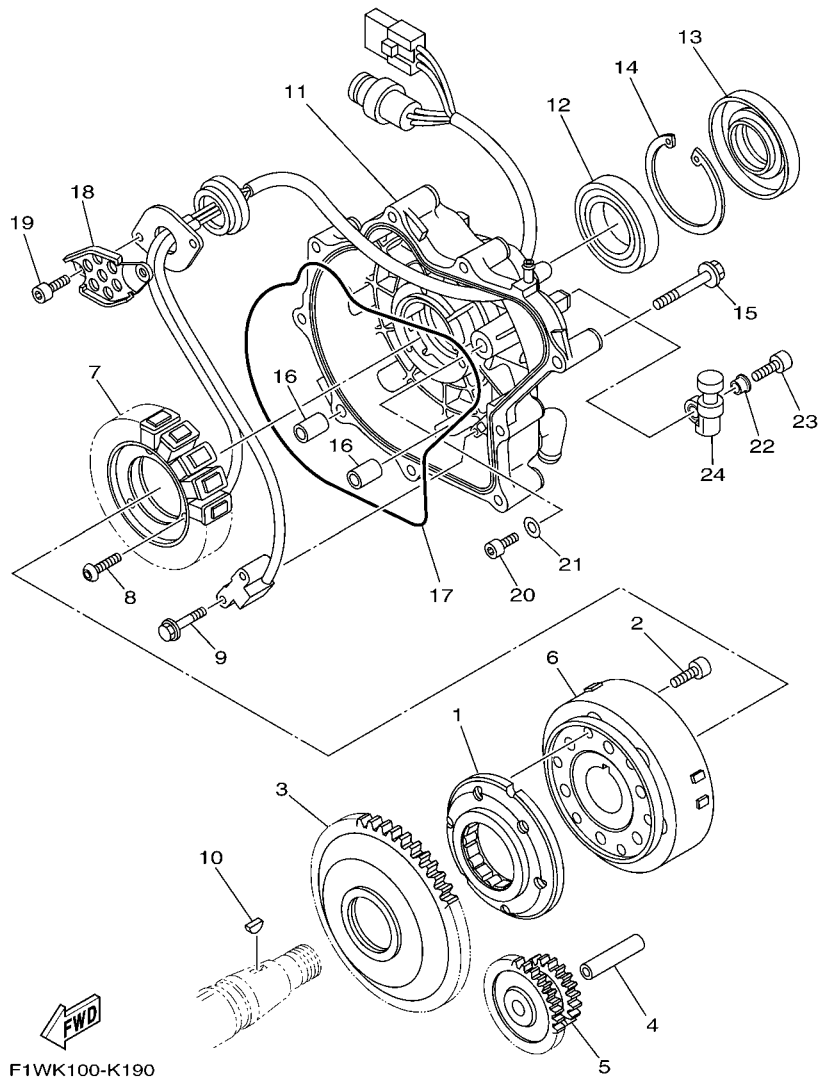
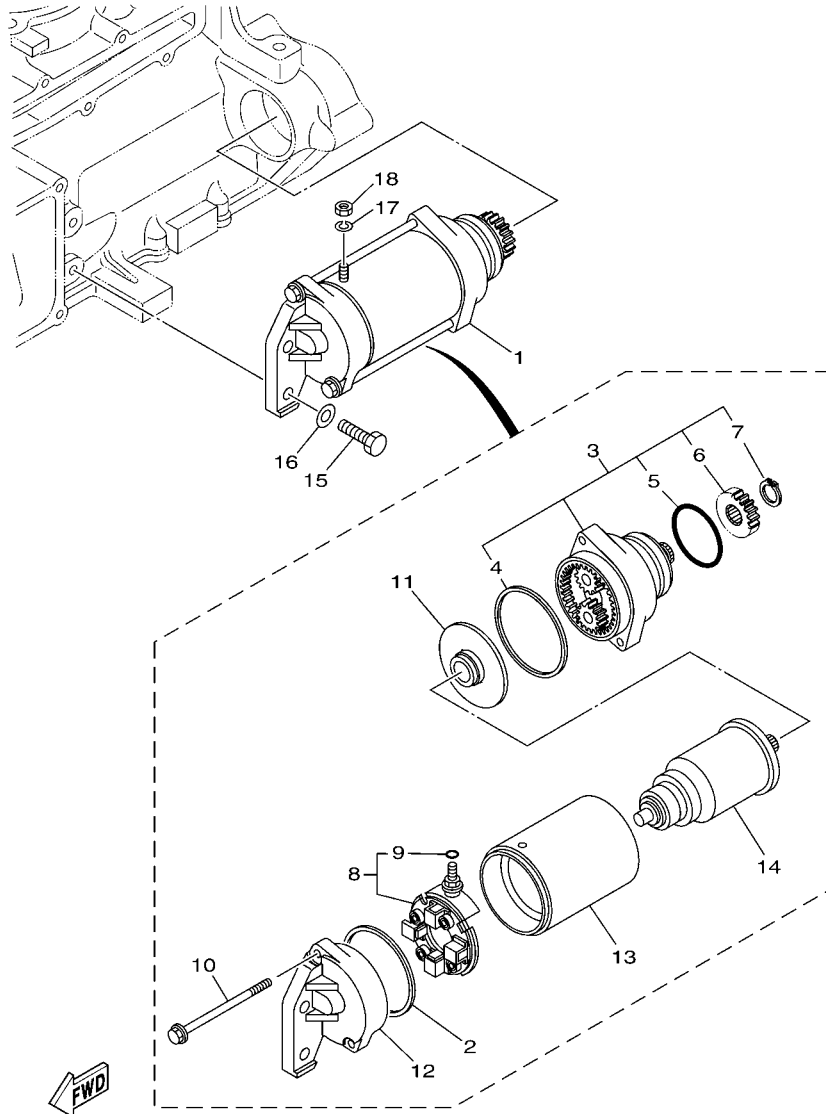


FIG. 18 GENERATOR

REF. NO.	PART NO.	DESCRIPTION	CAN	EUR	REMARKS
1	6S5-15590-00	STARTER ONE-WAY ASSY	1	1	
2	90110-08212	BOLT, HEXAGON SOCKET HEAD	6	6	
3	6S5-15515-00	GEAR 3	1	1	
4	6S5-15521-00	SHAFT 1	1	1	
5	6S5-15517-00	GEAR, IDLER 2	1	1	
6	6S5-81450-01	ROTOR ASSY	1	1	
7	6S5-81410-11	STATOR ASSY	1	1	
8	90149-06229	SCREW	3	3	
9	97513-05514	BOLT, WITH WASHER	2	2	
10	90280-03047	KEY, WOODRUFF	1	1	
11	6S5-81337-20	COVER, FLYWHEEL	1	1	
12	93306-00805	BEARING	1	1	
13	6S5-81167-10	OIL SEAL	1	1	
14	99009-72500	CIRCLIP	1	1	
15	90105-08249	BOLT, FLANGE	9	9	
16	99530-10114	PIN, DOWEL	2	2	
17	6S5-81168-00	O-RING	1	1	
18	6S5-81328-00	CLAMP	1	1	
19	91317-06014	BOLT	2	2	
20	91317-05010	BOLT	1	1	
21	90201-052E8	WASHER, PLATE	1	1	
22	90387-06M05	COLLAR	2	2	
23	91380-06020	BOLT	2	2	
24	6S5-81364-10	GROMMET	2	2	



F1W1100-G200

FIG. 19 STARTING MOTOR

REF. NO.	PART NO.	DESCRIPTION	CAN	EUR	REMARKS
1	6S5-81800-00	STARTING MOTOR ASSY	1	1	
2	11H-81844-00	.GASKET	1	1	
3	6S5-81830-00	.FRONT BRACKET ASSY	1	1	
4	4G0-81844-00	..GASKET	1	1	
5	1J7-81847-60	..O-RING	1	1	
6	5EL-15511-00	..GEAR, STARTING MOTOR	1	1	
7	93410-12003	..CIRCLIP	1	1	
8	6S5-81840-00	.BRUSH HOLDER ASSY	1	1	
9	3TB-81847-00	..O-RING	1	1	
10	6S5-81826-00	.BOLT	2	2	
11	5EL-81845-00	.PLATE	1	1	
12	6S5-81820-00	.REAR BRACKET ASSY	1	1	
13	6S5-81810-00	.STATOR ASSY	1	1	
14	5A8-81850-10	.ARMATURE ASSY	1	1	
15	97013-08030	BOLT	2	2	
16	92903-08600	WASHER, PLATE	2	2	
17	92990-06100	WASHER, SPRING	1	1	
18	95380-06700	NUT	1	1	

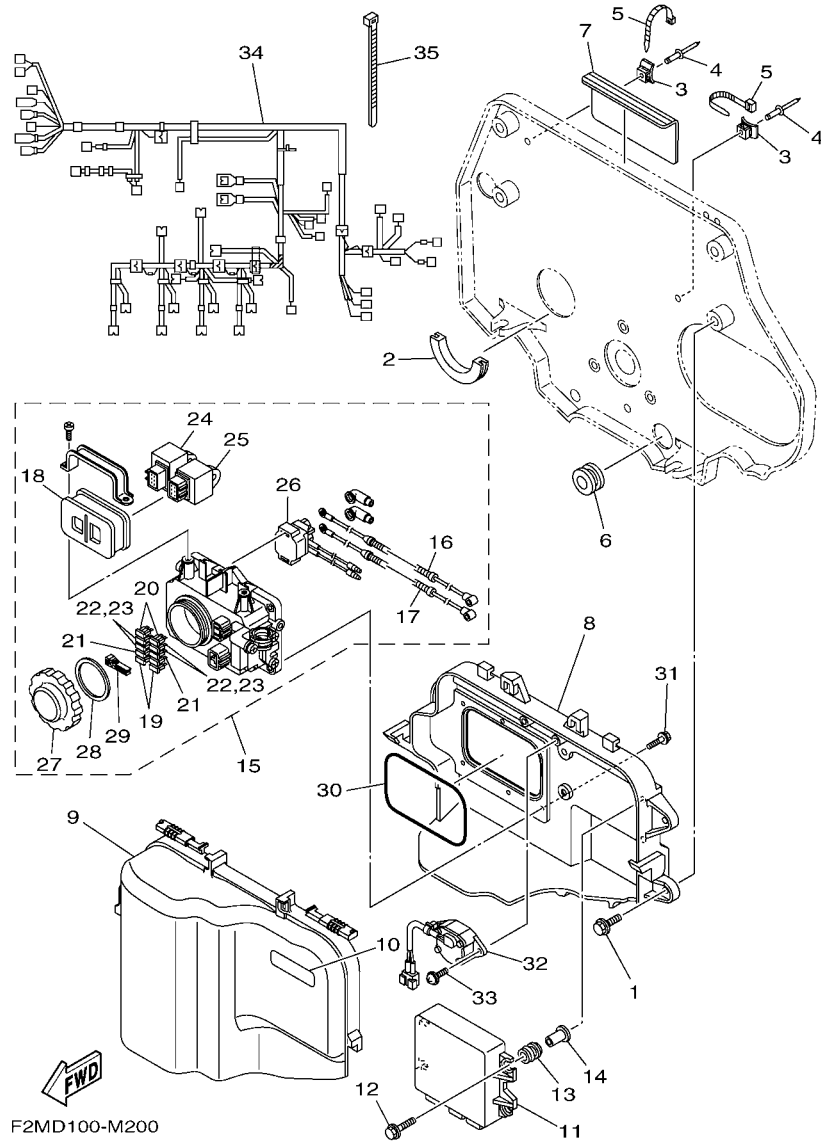
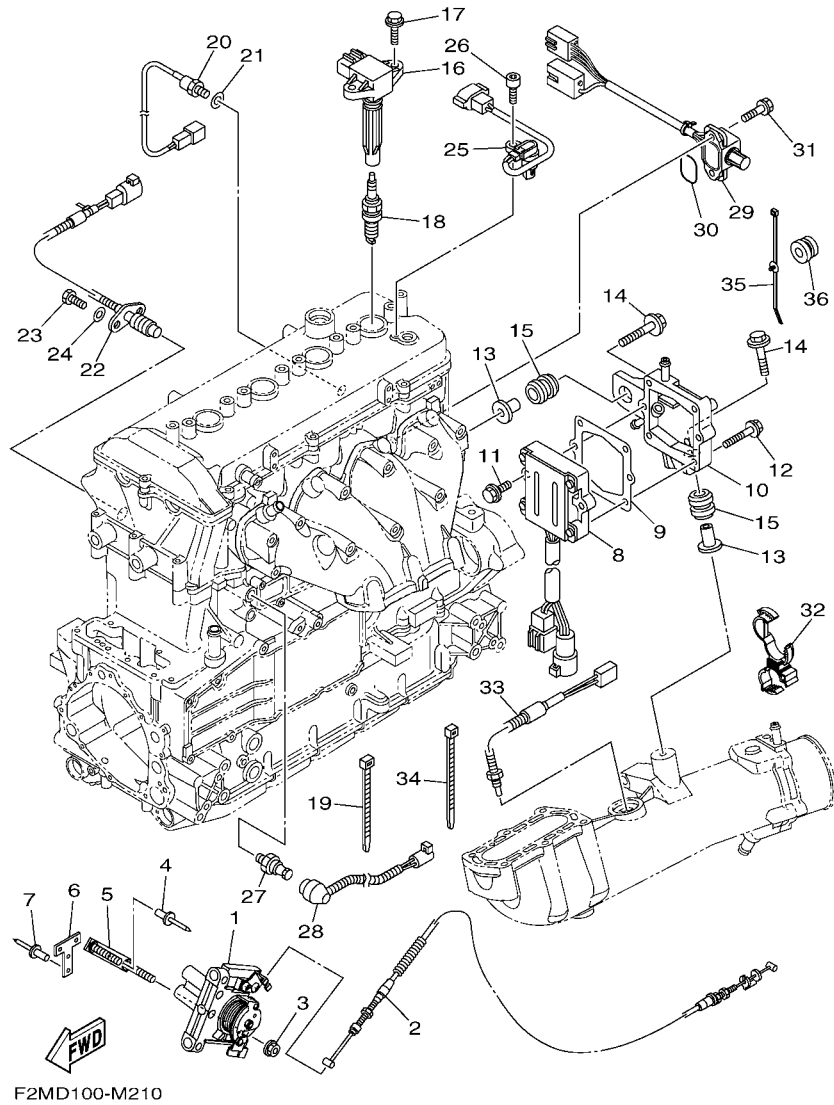


FIG. 20 ELECTRICAL 1

REF. NO.	PART NO.	DESCRIPTION	CAN	EUR	REMARKS
1	90119-089UT	BOLT, WITH WASHER	4	4	
2	F1S-U828H-01	TRIM, 1	1	1	
3	F1W-U828M-00	BASE, CLAMP	2	2	
4	90267-48802	RIVET, BLIND	2	2	
5	90464-32801	CLAMP	2	2	
6	90480-38800	GROMMET	1	1	
7	F1S-U8221-00	PAD, BATTERY	1	1	
8	6BH-81845-00	PLATE	1	1	
9	6S5-81942-10	COVER	1	1	
10	60E-83627-00	LABEL, CAUTION 7	1	1	
11	6CN-8591A-20	ENGINE CONTROL UNIT ASSY	1	1	
12	90119-06M35	BOLT, WITH WASHER	4	4	
13	6A0-82317-00	DAMPER, IGNITION COIL	4	4	
14	90387-06119	COLLAR	4	4	
15	6BH-82170-00	FUSE BOX ASSY	1	1	
16	6S5-82115-00	.WIRE, PLUS LEAD	1	1	
17	6S5-82117-00	.WIRE, LEAD	1	1	
18	6D3-82157-00	.DAMPER	1	1	
19	67F-82151-00	.FUSE (20A)	2	2	
20	67F-82151-10	.FUSE (30A)	2	2	
21	67F-82151-30	.FUSE (3A)	2	2	
22	67F-82151-40	.FUSE (10A)	2	2	
23	67F-82151-40	.FUSE (10A)	2	2	
24	60E-81950-00	.RELAY ASSY	1	1	
25	68V-81950-00	.RELAY ASSY	1	1	
26	6B6-81940-00	.STARTER RELAY ASSY	1	1	
27	66V-8132W-00	.CAP	1	1	





F2MD100-M210

FIG. 21 ELECTRICAL 2

REF. NO.	PART NO.	DESCRIPTION	CAN	EUR		REMARKS
1	6D3-14305-21	ACCEL. POSITON SENSOR ASSY	1	1		
2	6BU-26311-00	CABLE, THROTTLE 1	1	1		
3	95780-08300	NUT, FLANGE	2	2		
4	90267-489U1	RIVET,BLIND	1	1		
5	F2N-U7254-00	BRACKET, THROTTLE	1	1		
6	F2P-U8376-00	PLATE	1	1		
7	90267-489U1	RIVET,BLIND	2	2		
8	6S5-81960-10	RECTIFIER & REGULATOR ASSY	1	1		
9	6S5-81975-00	PLATE, RECTIFIER FITTING	1	1		
10	6S5-81972-01-94	COVER, RECTIFIER	1	1		
11	90119-06MA3	BOLT, WITH WASHER	2	2		
12	90119-06048	BOLT, WITH WASHER	4	4		
13	90387-08M37	COLLAR	2	2		
14	90119-08M22	BOLT, WITH WASHER	2	2		
15	90480-22M15	GROMMET	2	2		
16	6S5-82310-00	IGNITION COIL ASSY	4	4		
17	90105-06903	BOLT, FLANGE	8	8		
18	94702-00427	PLUG, SPARK (NGK LFR6A)	4	4		
19	90465-13M18	CLAMP	7	7		
20	61A-85790-00	THERMOSENSOR ASSY	1	1		
21	92990-10600	WASHER, PLATE	1	1		
22	6CR-82560-00	THERMO SWITCH ASSY	1	1		
23	97095-06016	BOLT	2	2		
24	92995-06600	WASHER	2	2		
25	60E-85896-00	SENSOR, CAM POSITION	1	1		
26	91380-06016	BOLT	1	1		
27	68V-82504-00	OIL PRESSURE SWITCH ASSY	1	1		





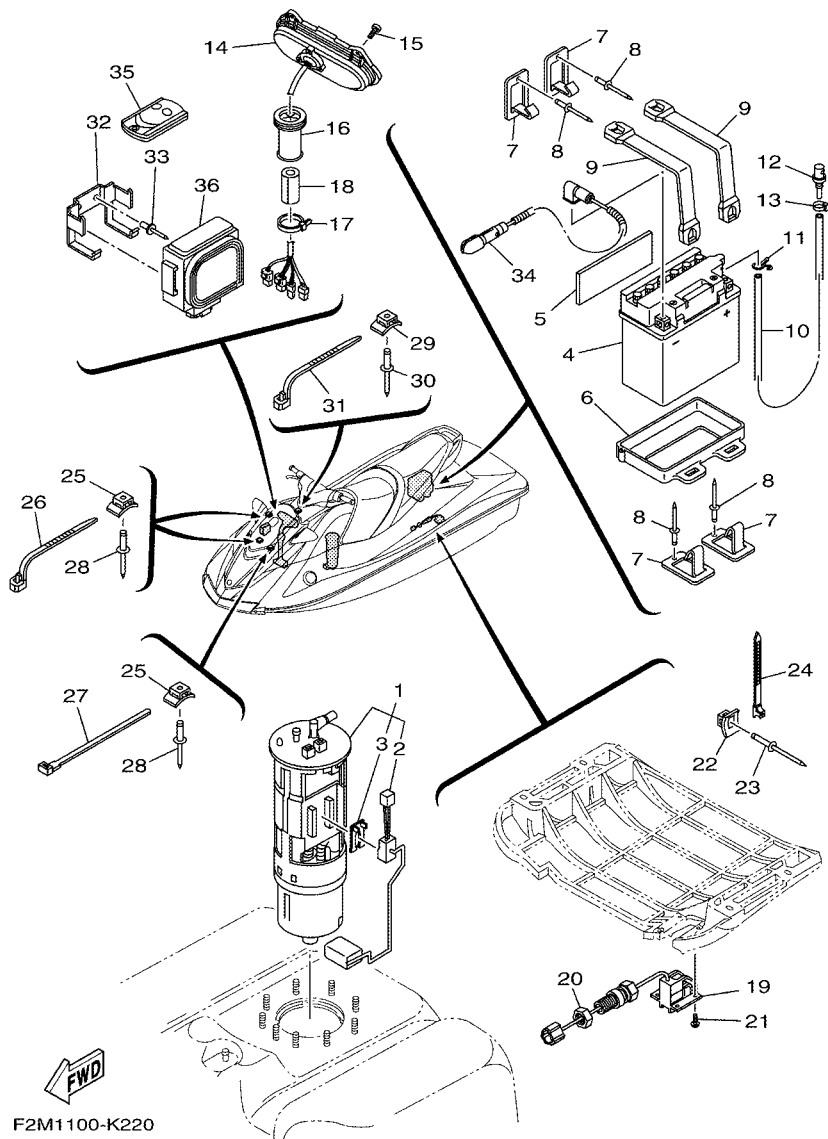
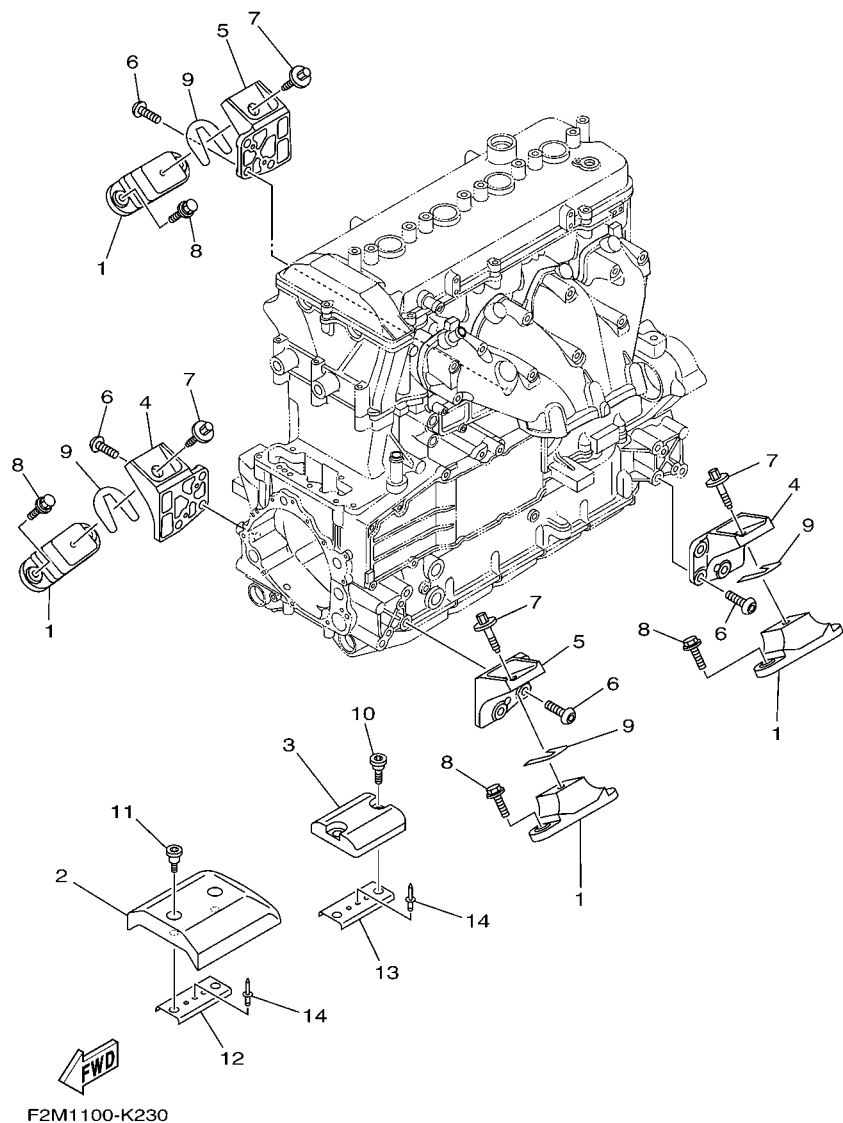


FIG. 22 ELECTRICAL 3

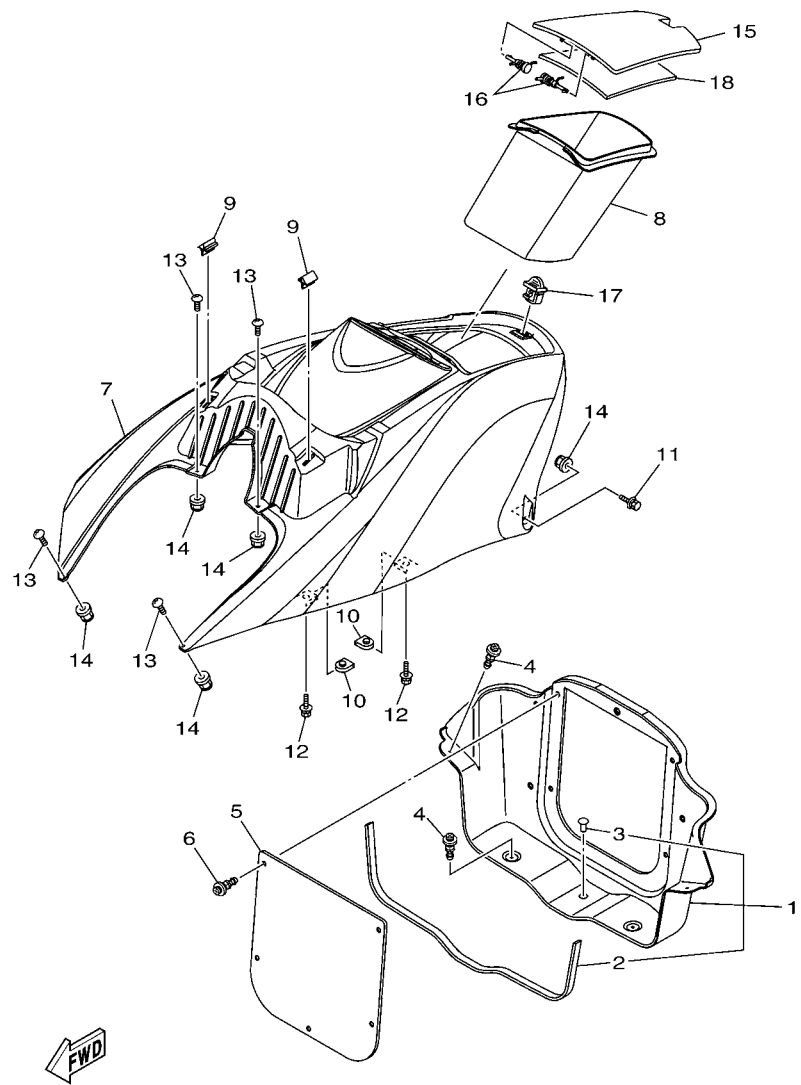
REF. NO.	PART NO.	DESCRIPTION	CAN	EUR	REMARKS
1	6S5-13907-00	FUEL PUMP COMP.	1	1	
2	6S5-682E0-00	.FUEL SENDER ASSY	1	1	
3	60E-82556-00	.DAMPER, STOPPER	1	1	
4	EU0-82110-09	BATTERY ASSY (YB16CL-B)	1	1	YUASA
5	F1K-U8221-00	PAD, BATTERY	1	1	
6	F1K-U8211-01	CASE, BATTERY	1	1	
7	F1K-U5772-04	HOOK A	4	4	
8	90267-489U1	RIVET,BLIND	4	4	
9	F1K-U821D-01	BAND, BATTERY 1	2	2	
10	F0D-U785G-10	HOSE, AIR VENT	1	1	
11	90467-089U1	CLIP	1	1	
12	GJ3-6215F-00	NIPPLE	1	1	
13	90465-11829	CLAMP	1	1	
14	F1K-6820A-20	METER ASSY	1	1	
15	90111-05008	BOLT,HEX. SOCKET BUTTON	4	4	
16	GU2-6822E-01	GROMMET	1	1	
17	90464-32801	CLAMP	1	1	
18	GJ1-U7578-21	PACKING, HOSE 2	1	1	
19	F1S-U8K31-02	SENSOR SPEED	1	1	
20	F2C-U151S-00	NUT	1	1	
21	90150-05807	SCREW, ROUND HEAD	4	4	
22	F1W-U828M-00	BASE, CLAMP	6	6	
23	90267-489U6	RIVET, BLIND	6	6	
24	90464-32801	CLAMP	7	7	
25	F1W-U828M-00	BASE, CLAMP	3	3	
26	90464-32801	CLAMP	1	1	
27	90601-200U2	BAND	2	2	



FIG. 23 ENGINE MOUNT



REF. NO.	PART NO.	DESCRIPTION	CAN	EUR	REMARKS
1	67X-44517-10	MOUNT RUBBER	4	4	
2	6CN-G4532-00	STOPPER, UPPER MOUNT	1	1	
3	6CN-G4574-00	STOPPER, LOWER MOUNT RUBBER	1	1	
4	6BH-41661-00-94	BRACKET 1	2	2	
5	6BH-41662-00-94	BRACKET 2	2	2	
<hr/>					
6	90149-10052	SCREW	12	12	
7	90119-08859	BOLT, WITH WASHER	4	4	
8	90119-08823	BOLT, WITH WASHER	8	8	
9	EU0-U7354-00-01	SHIM (T=0.1)	4	4	UN
	EU0-U7354-00-03	SHIM (T=0.3)	4	4	UN
<hr/>					
	EU0-U7354-00-05	SHIM (T=0.5)	4	4	UN
	EU0-U7354-00-10	SHIM (T=1.0)	4	4	UN
	EU0-U7354-00-20	SHIM (T=2.0)	4	4	UN
10	90109-06875	BOLT	2	2	
11	90109-06874	BOLT	2	2	
<hr/>					
12	F2M-U732B-00	PLATE	1	1	
13	F2M-U732B-00	PLATE	1	1	
14	90267-489U2	RIVET, BLIND	2	2	
<hr/>					
<hr/>					



F2M4100-K240

FIG. 24 ENGINE HATCH 1

REF. NO.	PART NO.	DESCRIPTION	CAN	EUR			REMARKS
1	F2N-U475B-04	LOCKER,BOW	1	1			
2	F2N-U266C-01	.PACKING 4	1	1			
3	90605-502U1	.PLUG, BLIND	1	1			
4	90269-08801	RIVET	4	4			
5	F1W-U475F-01	PLATE, LOKER BOW	1	1			
6	90269-08801	RIVET	4	4			
7	F2N-U516N-00-P4	COVER, ENGINE HATCH (LNMP)	1	1			
8	F2N-U516P-00	BOX GLOVE	1	1			
9	F1K-U266C-00	PACKING 4	2	2			
10	90183-06902	NUT, SPRING	4	4			
11	90119-06880	BOLT, WITH WASHER	2	2			
12	90119-06882	BOLT, WITH WASHER	4	4			
13	F2N-67823-10	SCREW	4	4			
14	F2N-U142L-00	NUT, LOCK	6	6			
15	F2N-U517H-01	LID HATCH	1	1			
16	F0X-6517R-01	PIN, HINGE	2	2			
17	GU2-62875-02	LOCK	1	1			
18	F2P-U519D-00	PACKING CASE	1	1			

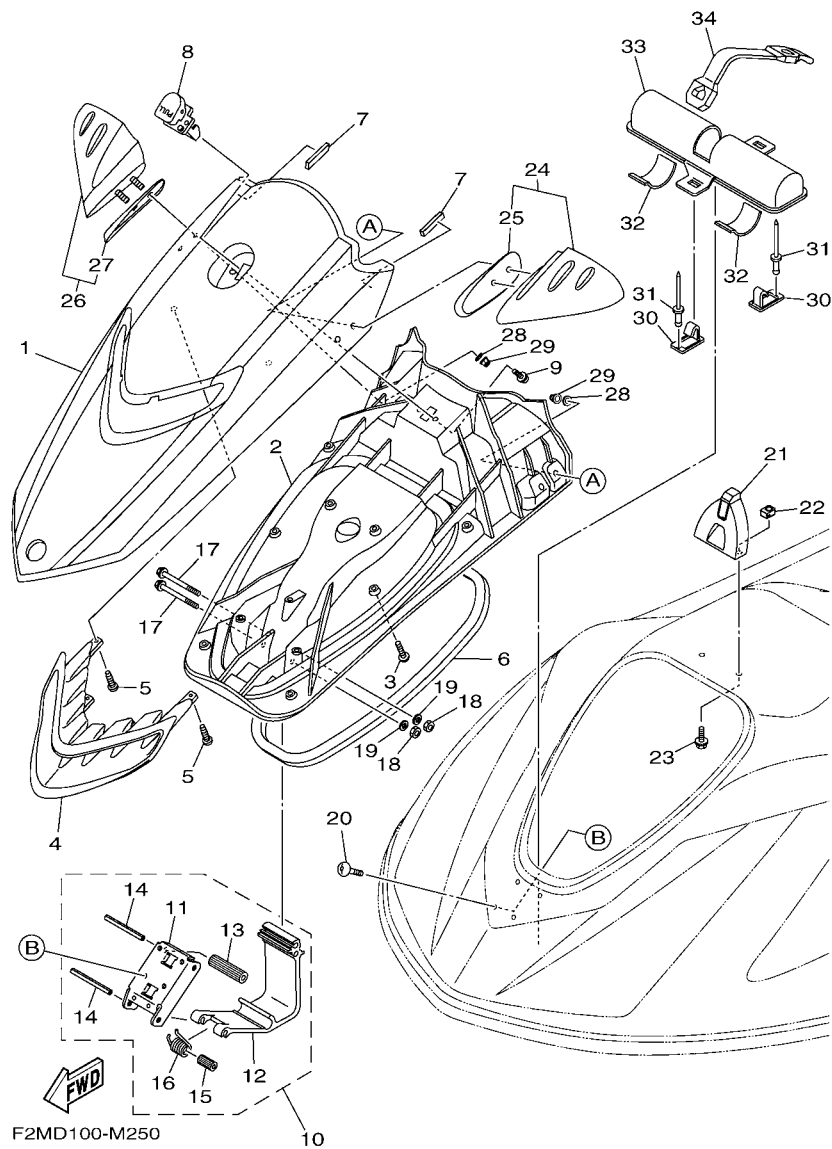


FIG. 25 ENGINE HATCH 2

REF. NO.	PART NO.	DESCRIPTION	CAN	EUR			REMARKS
1	F2M-U517B-00-P1	LID, ENGINE ROOM (LNMP)	1	1			
2	F2M-U213B-00	COVER, VENTILATOR 1	1	1			
3	90149-05903	SCREW	9	9			
4	F2M-U517V-00	ORNAMENT, CENTER	1	1			
5	90149-05903	SCREW	4	4			
6	F2N-U2663-01	PACKING 1	1	1			
7	F2C-U1743-00	PACKING	2	2			
8	F2M-6517C-00	LOCK, LID	1	1			
9	90119-059U4	BOLT, WITH WASHER	2	2			
10	F1K-U515A-00	HINGE ASSY.	1	1			
11	F1K-U518E-04	.PLATE, HINGE LID	1	1			
12	F1K-U517D-05	.HINGE, LID	1	1			
13	F1K-U135C-01	.ROLLER, DETENT	1	1			
14	F1K-U517R-00	.PIN, HINGE	2	2			
15	F1K-U471E-03	.SPACER 1	1	1			
16	F1K-U283B-02	.SPRING, TORSION	1	1			
17	90105-06826	BOLT, FLANGE	2	2			
18	9572R-06300	NUT, NYLON	2	2			
19	9299R-06200	WASHER	2	2			
20	F2N-67823-00	SCREW	4	4			
21	F2N-U517F-00	HOOK, LID LOCK	1	1			
22	F1X-U517E-01	NUT	2	2			
23	90119-06880	BOLT, WITH WASHER	2	2			
24	F2N-U596B-00	MIRROR LH	1	1			
25	F2N-U471E-00	.SPACER 1	1	1			
26	F2N-U596C-00	MIRROR RH	1	1			
27	F2N-U471F-00	.SPACER 2	1	1			

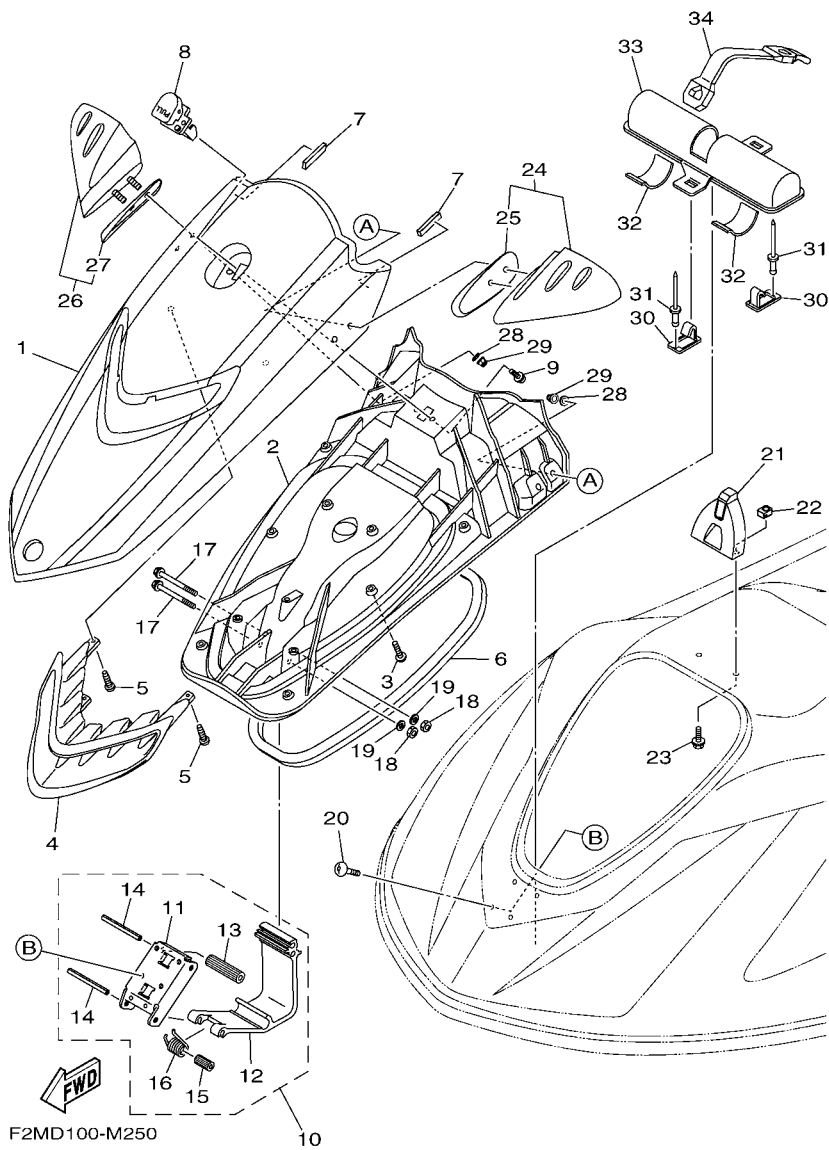
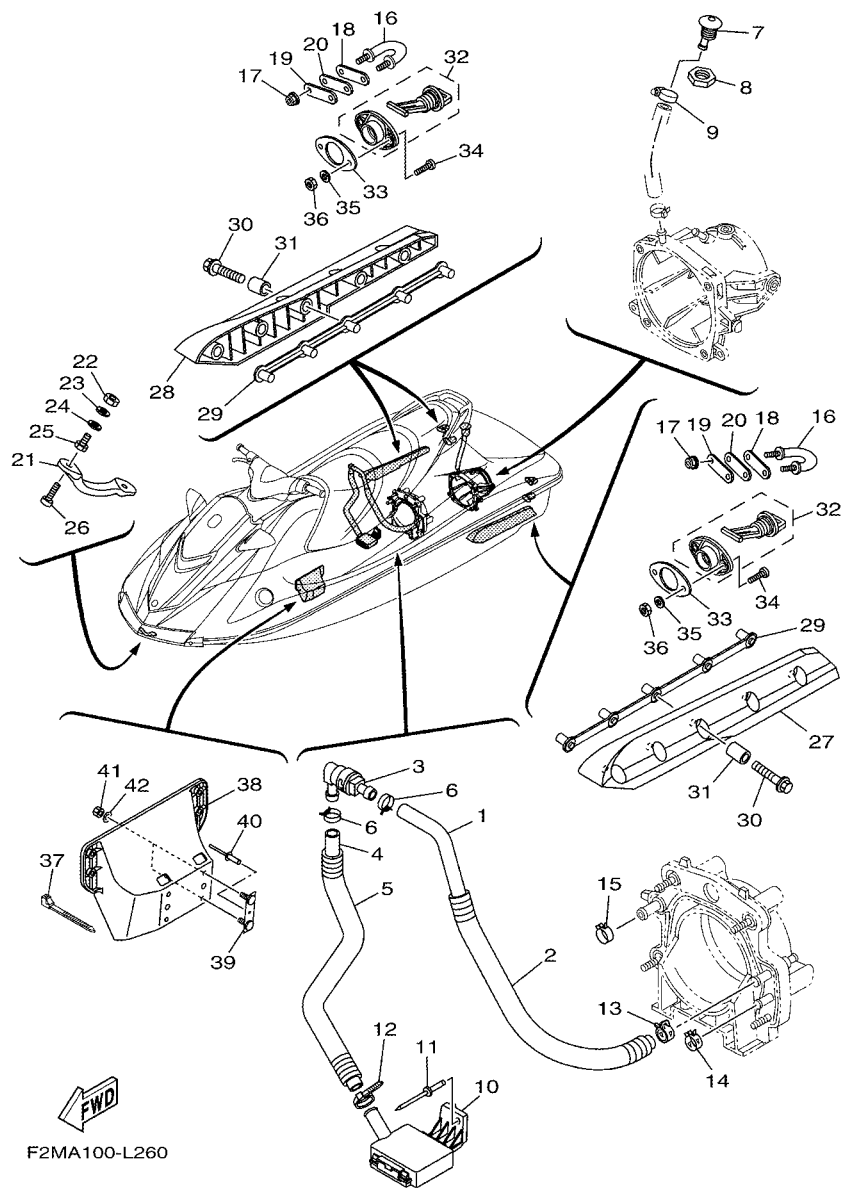


FIG. 25 ENGINE HATCH 2

REF. NO.	PART NO.	DESCRIPTION	CAN	EUR			REMARKS
28	9299R-08200	WASHER	4	4			
29	9572R-08300	NUT, FLANGE	4	4			
30	F1K-U5772-04	HOOK A	2	2			
31	90267-489U1	RIVET,BLIND	2	2			
32	F1K-U759C-00	MAT 2	2	2			
33	F1K-U5983-01	BOX, FIRE EXTINGUISHER	1	1			
34	F2P-U828K-00	BAND 1	1	1			
-----							
-----							
-----							
-----							
-----							
-----							
-----							
-----							
-----							
-----							

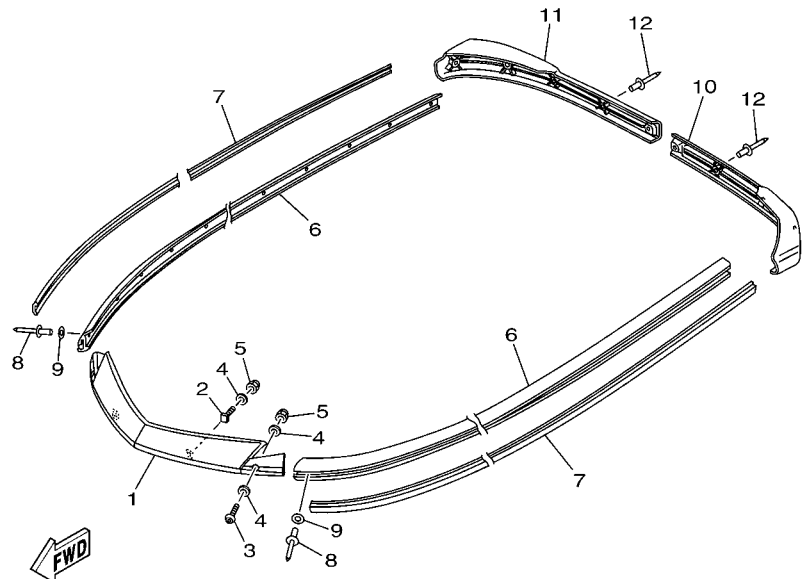
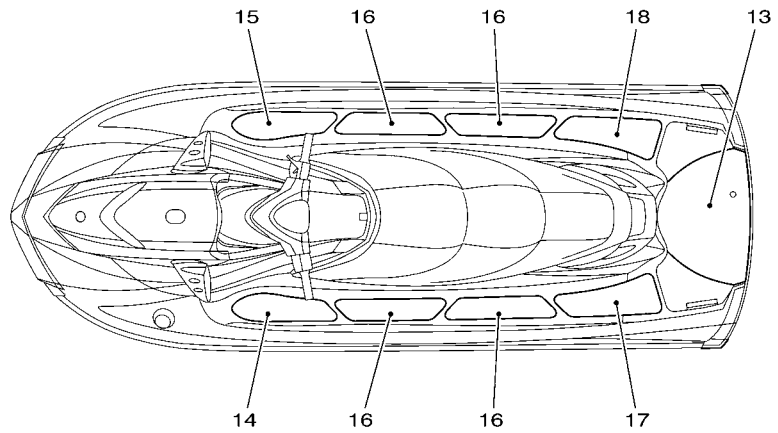
FIG. 26 HULL & DECK



REF. NO.	PART NO.	DESCRIPTION	CAN	EUR	REMARKS
1	90445-20804	HOSE (L860)	1	1	
2	90446-27M73	HOSE (L700)	1	1	
3	68N-5112T-00	JOINT, HOSE	1	1	
4	90445-20800	HOSE (L500)	1	1	
5	90446-27M55	TUBE (L400)	1	1	
6	90467-18804	CLIP	2	2	
7	F1W-U269B-00	SPOUT	1	1	
8	EU0-61652-00	NUT	1	1	
9	90601-118UF	BAND, HOSE 18	1	1	
10	F1B-U761D-02	STRAINER, BILGE	1	1	
11	90267-489U8	RIVET, BLIND	1	1	
12	90465-11829	CLAMP	1	1	
13	90467-21800	CLIP	1	1	
14	90467-200A0	CLIP	1	1	
15	90467-250A0	CLIP	1	1	
16	F2N-U1628-02	STERN EYE	2	2	
17	9572R-08300	NUT, FLANGE	4	4	
18	GP7-U4953-10	PLATE A	2	2	
19	F2C-U4953-10	PLATE A	2	2	
20	F1B-U1653-02	PACKING	2	2	
21	F1K-61624-00	BOWEYE 1	1	1	
22	99780-12600	NUT.HEX.(COARS)	2	2	
23	92990-12200	WASHER, PLAIN	2	2	
24	F0X-61637-00	WASHER	2	2	
25	F0X-61652-00	NUT (BOLT/NUT)	2	2	
26	90110-06040	BOLT, HEXAGON SOCKET HEAD	2	2	
27	F1S-U883N-01	STABILIZER LH	1	1	BLACK







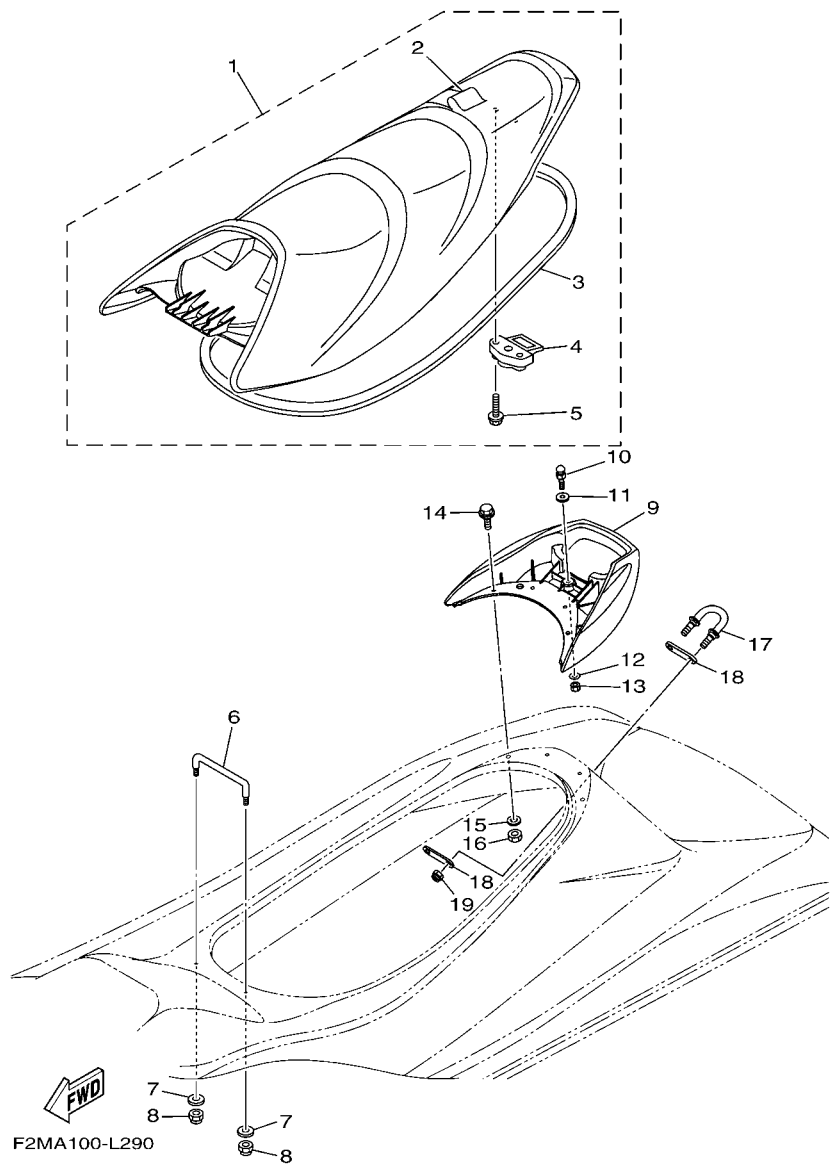
F2M4100-K270

FIG. 27 GUNWALE & MAT

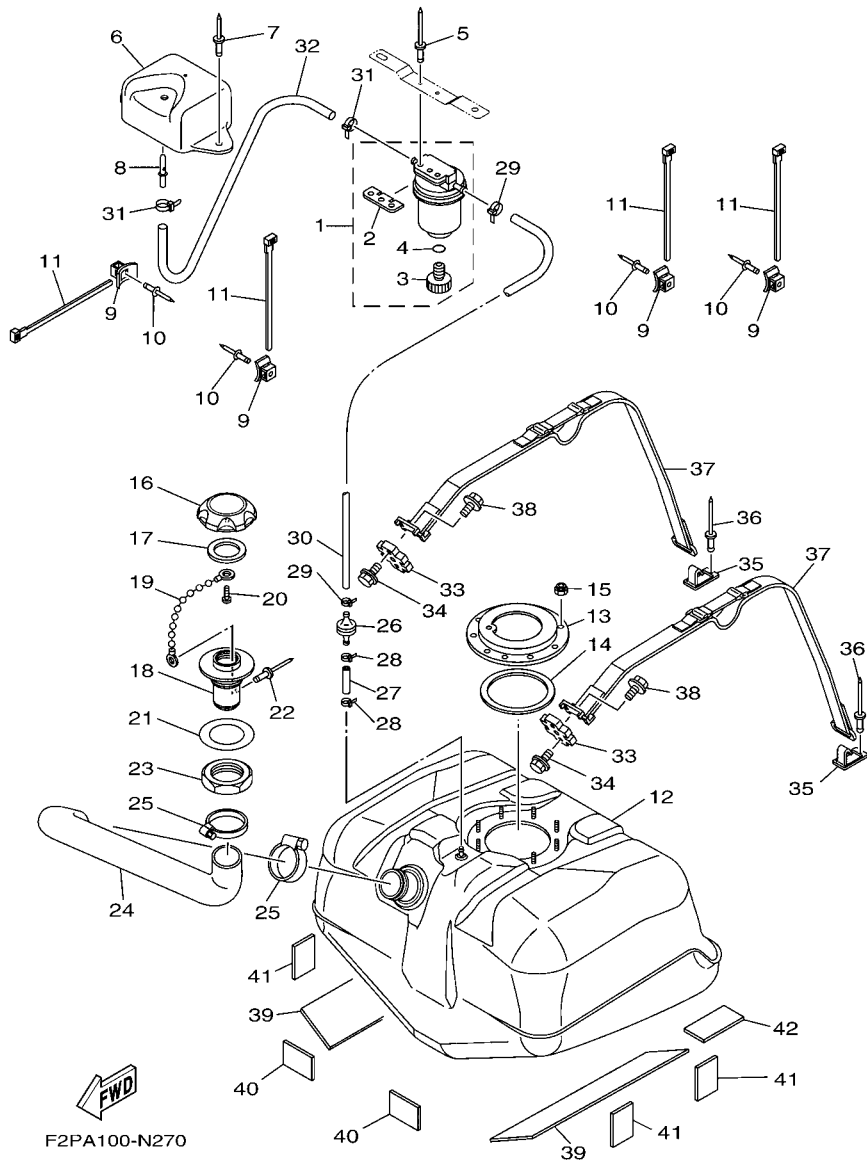
REF. NO.	PART NO.	DESCRIPTION	CAN	EUR	REMARKS
1	F2N-U2511-30	GUNWALE, BOW	1	1	DARK GRAY
2	F1W-U491K-00	BOLT, SPECIAL	2	2	
3	90111-06803	BOLT,HEX. SOCKET BUTTON	2	2	
4	9299R-06200	WASHER	6	6	
5	9572R-06300	NUT, NYLON	4	4	
6	F1K-U2512-30	GUNWALE, SIDE	2	2	DARK GRAY
7	F1K-U2519-20	INNER,GUNWALE	2	2	YAMAHA BLACK
8	90267-489U8	RIVET, BLIND	30	30	
9	9299R-05200	WASHER	30	30	
10	F1K-U251D-30	GUNWALE, STERN 1	1	1	DARK GRAY
11	F1K-U251E-30	GUNWALE, STERN 2	1	1	DARK GRAY
12	90267-48963	RIVET, BLIND	9	9	
13	F2P-U3581-00	MAT, UPPER	1	1	DARK GREY
14	F2P-U351H-00	MAT, STEP 1	1	1	DARK GREY
15	F2P-U351J-00	MAT, STEP 2	1	1	DARK GREY
16	F2P-U351K-00	MAT, STEP 3	4	4	DARK GREY
17	F2P-U351M-00	MAT, STEP 4	1	1	DARK GREY
18	F2P-U351N-00	MAT, STEP 5	1	1	DARK GREY



**FIG. 29 SEAT & UNDER LOCKER**



REF. NO.	PART NO.	DESCRIPTION	CAN	EUR			REMARKS
1	F2N-U371A-72	DOUBLE SEAT ASSY	1	1			
2	F2N-U371B-71	.COVER, SEAT 1	1	1			
3	F2N-U2664-00	.PACKING	1	1			
4	F2C-U3850-00	.SEAT LOCK ASSY	1	1			
5	90119-069UP	.BOLT, WITH WASHER	2	2			
6	F0X-6378C-00	STAY, SEAT 1	1	1			
7	90201-099U3	WASHER, PLATE	2	2			
8	9572R-08300	NUT, FLANGE	2	2			
9	F2N-U271B-10	GRIP, HAND	1	1			
10	GH1-U3774-00	PIN	1	1			
11	90201-109U6	WASHER, PLATE	1	1			
12	9299R-10200	WASHER	1	1			
13	9572R-10300	NUT, NYLON	1	1			
14	90119-089U2	BOLT, WITH WASHER	4	4			
15	9299R-08200	WASHER	4	4			
16	9572R-08300	NUT, FLANGE	4	4			
17	F2N-U1628-02	STERN EYE	1	1			
18	GP7-U4953-10	PLATE A	2	2			
19	9572R-08300	NUT, FLANGE	2	2			



**FIG. 30 FUEL TANK**

REF. NO.	PART NO.	DESCRIPTION	CAN	EUR	REMARKS
1	F2F-6214A-00	FILTER, VENT ASSY	1	1	
2	EW2-62142-00	.PLATE, FILTER	1	1	
3	70R-24543-00	.PLUG, DRAIN	1	1	
4	70R-24489-00	.O-RING	1	1	
5	90267-489U2	RIVET, BLIND	2	2	
6	F1W-U2159-00	SOCKET, VENTILATION	1	1	
7	90267-489U6	RIVET, BLIND	2	2	
8	F1G-62149-00	PIPE, VENTILATION	1	1	
9	F1W-U828M-00	BASE, CLAMP	4	4	
10	90267-489U6	RIVET, BLIND	4	4	
11	90464-32801	CLAMP	4	4	
12	F2S-U7711-02	TANK, FUEL	1	1	
13	F1B-U7773-00	RING	1	1	
14	F1B-67747-00	PACKING, SEAL	1	1	
15	9572R-06300	NUT, NYLON	9	9	
16	F2N-U7831-10	CAP, FUEL FILLER	1	1	BLACK
17	GP7-U7832-01	PACKING	1	1	
18	GP7-U7833-11	SOCKET	1	1	BLACK
19	GP7-U7835-00	CHAIN BALL	1	1	
20	90169-049U1	TAPPING SCREW	1	1	
21	GP7-U7834-00	PACKING FUEL FILLER	1	1	
22	90267-329UR	RIVET, BLIND	1	1	
23	GP7-U783F-00	NUT, FUEL FILLER	1	1	
24	F2P-U7844-00	HOSE	1	1	
25	90601-155U4	BAND, HOSE 55	2	2	
26	EU0-67767-31	CHECK VALVE	1	1	
27	GP7-U785H-00	HOSE, AIR VENT 3	1	1	

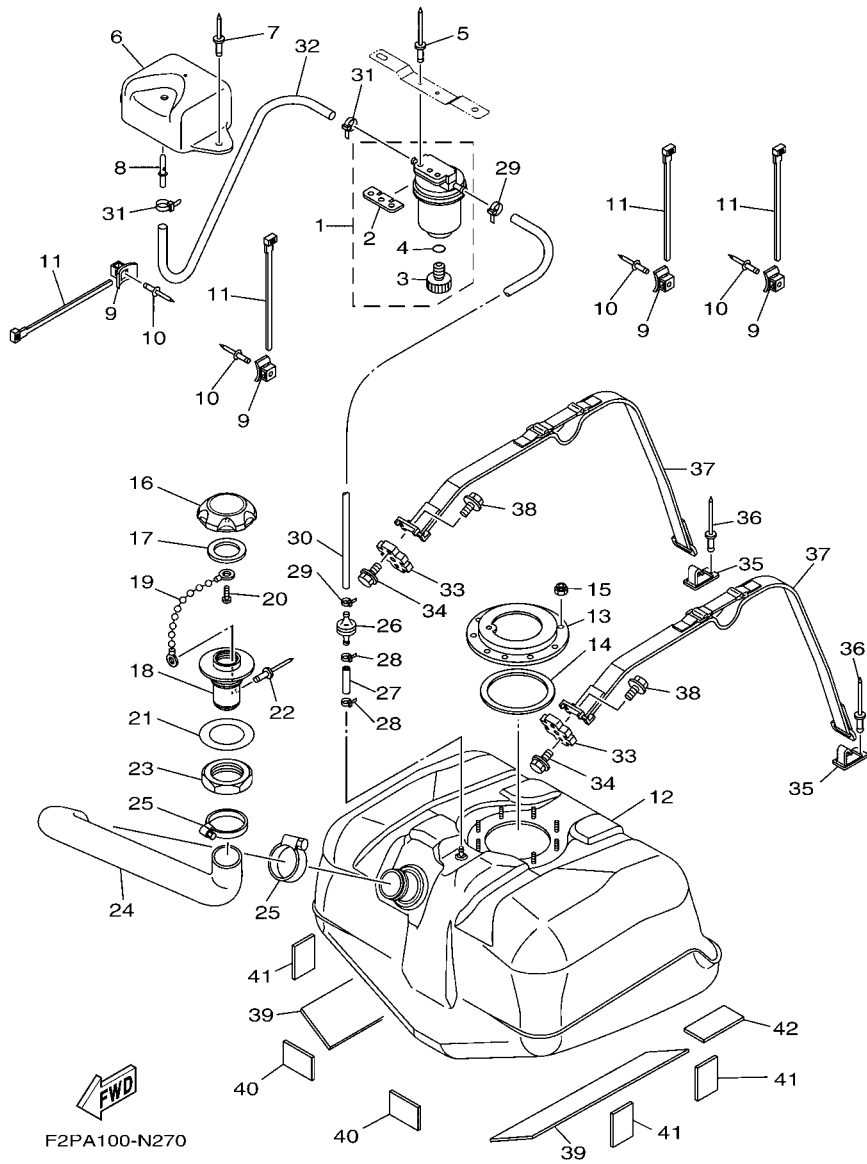


FIG. 30 FUEL TANK

REF. NO.	PART NO.	DESCRIPTION	CAN	EUR	REMARKS
28	90465-11829	CLAMP	2	2	
29	90465-11829	CLAMP	2	2	
30	F1K-U785G-00	HOSE, AIR VENT	1	1	
31	90465-11829	CLAMP	2	2	
32	F0D-U7856-10	HOSE, AIR VENT 3	1	1	
33	F1X-U2873-00	NUT, SPECIAL	2	2	
34	90119-069UH	BOLT, WITH WASHER	4	4	
35	F1K-U5772-04	HOOK A	2	2	
36	90267-489U1	RIVET,BLIND	2	2	
37	F2P-67743-00	BELT, TANK 1	2	2	
38	90119-089U7	BOLT, WITH WASHER	2	2	
39	F1K-U759B-00	MAT 1	2	2	
40	F2P-U759C-00	MAT 2	2	2	
41	F1W-U759C-01	MAT 2	4	4	
42	F1K-U759C-00	MAT 2	2	2	

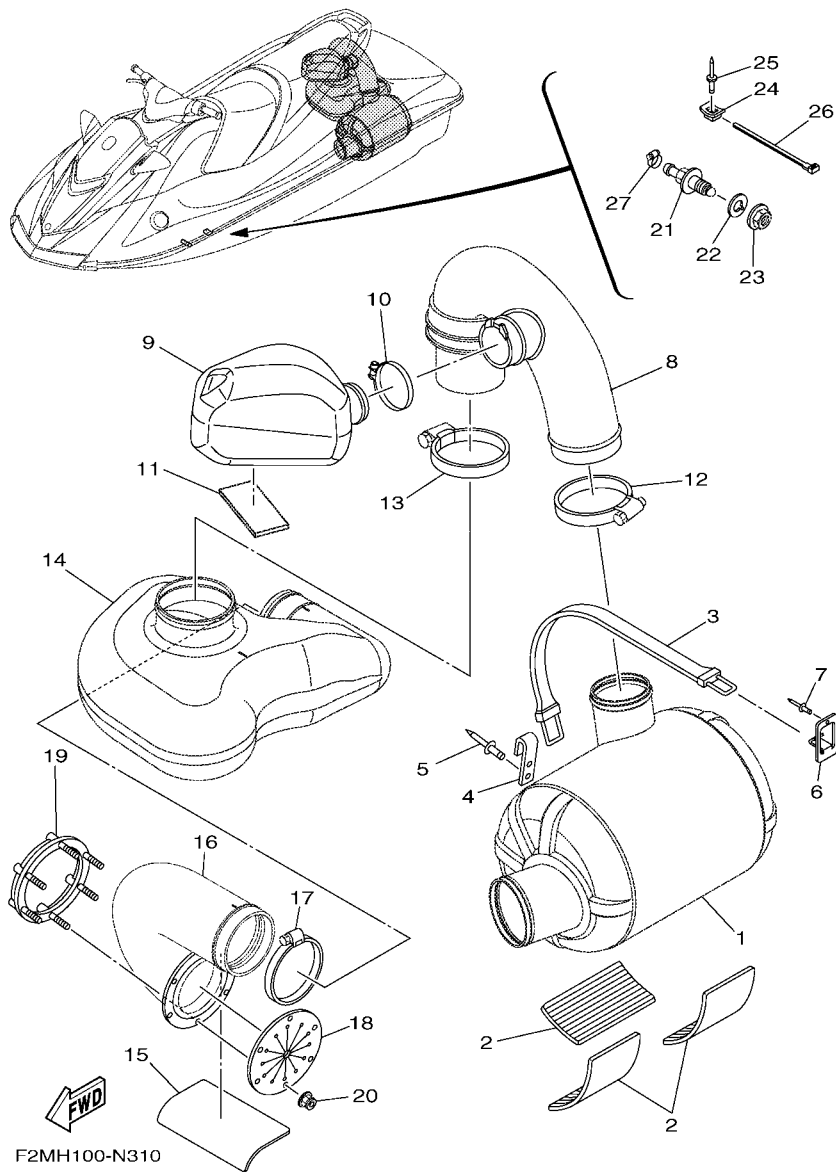
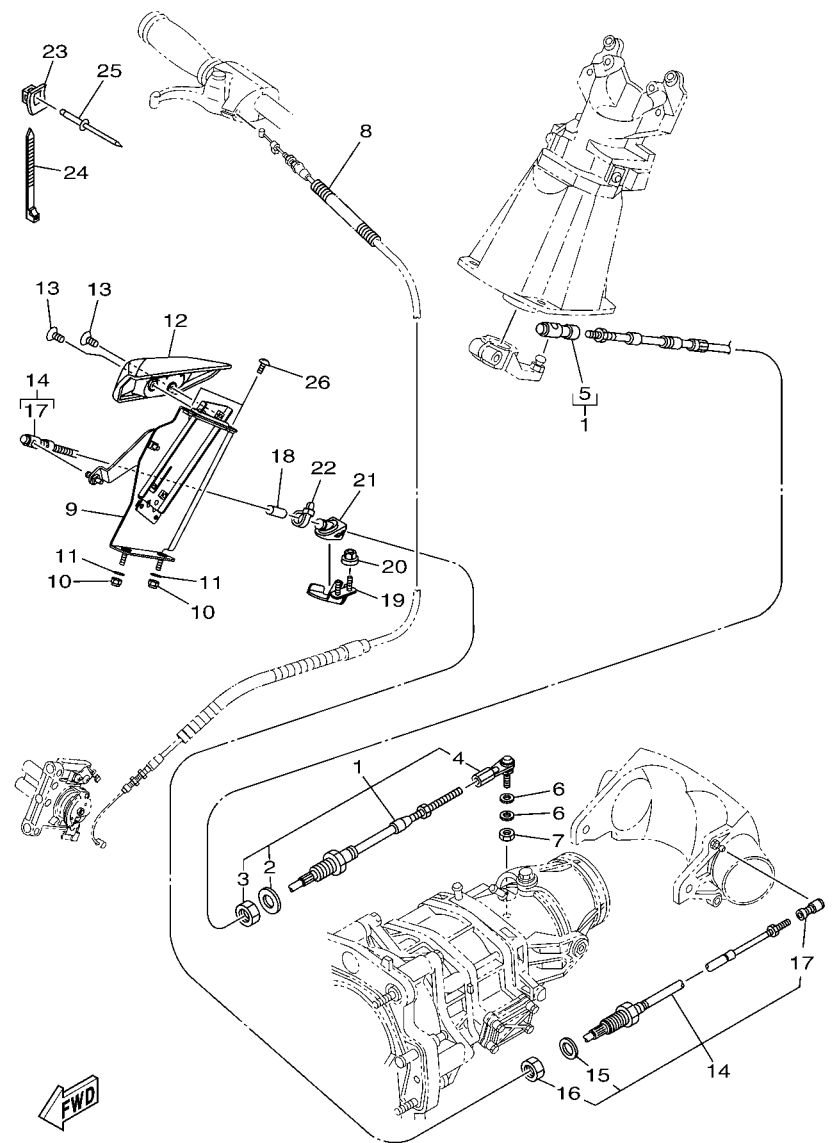


FIG. 31 EXHAUST 3

REF. NO.	PART NO.	DESCRIPTION	CAN	EUR	REMARKS
1	F1W-U7550-02	WATER LOCK COMP.	1	1	
2	F1S-U8221-00	PAD, BATTERY	3	3	
3	EW2-67821-00	BAND, FUEL TANK	1	1	
4	GA7-65772-00	HOOK A	1	1	
5	90267-489U1	RIVET,BLIND	2	2	
6	F1K-U5772-04	HÖÖK A	1	1	
7	90267-489U1	RIVET,BLIND	1	1	
8	F1W-U7555-01	HOSE, EXHAUST	1	1	
9	F1W-U753C-01	RESONATOR 1	1	1	
10	90601-170UG	BAND, HOSE 70	1	1	
11	F1K-U759C-00	MAT 2	1	1	
12	90450-99801	HOSE CLAMP ASSY	1	1	
13	90450-99804	HOSE CLAMP ASSY	1	1	
14	F2N-U4261-00	TANK, WATER	1	1	
15	F1S-U8221-00	PAD, BATTERY	1	1	
16	F2N-U758D-00	HÖÖSE,EXHAUST 3	1	1	
17	90450-99801	HOSE CLAMP ASSY	1	1	
18	F1B-U751G-00	VALVE, EXHAUST	1	1	
19	F1S-U757B-01	PLATE	1	1	
20	F2N-U142L-00	NUT, LOCK	6	6	
21	F2C-U753B-01	PILOT, WATER	1	1	
22	F2C-U7564-00	GASKET	1	1	
23	F2C-U2733-00	NUT	1	1	
24	F1W-U828M-00	BASE, CLAMP	1	1	
25	90267-489U6	RIVET, BLIND	1	1	
26	90464-32801	CLAMP	1	1	
27	90467-17802	CLIP	1	1	



F2M1100-K320

FIG. 32 CONTROL CABLE

REF. NO.	PART NO.	DESCRIPTION	CAN	EUR	REMARKS
1	F2N-61481-00	CABLE, STEERING	1	1	
2	F1B-61438-00	.PACKING C	1	1	
3	F1B-6151S-00	.NUT	1	1	
4	F1B-61461-02	.STUD, JOINT BALL	1	1	
5	F2N-61460-00	.BALL JOINT ASSY	1	1	
6	90201-06906	WASHER, PLATE	2	2	
7	9538R-06700	NUT	1	1	
8	90447-06803	TUBE	1	1	
9	F2N-U134A-00	REMOCON. LEVER ASSY.	1	1	
10	9572R-06300	NUT, NYLON	2	2	
11	9299R-06200	WASHER	2	2	
12	F2N-U2714-01	GRIP	1	1	
13	90151-06815	SCREW, COUNTERSUNK	2	2	
14	F2N-U149C-00	CABLE, REVERSE	1	1	
15	F2S-U1438-00	.PACKING C	1	1	
16	F2S-U151S-00	.NUT	2	2	
17	F0V-U1461-00	.STUD, JOINT BALL	2	2	
18	F1W-U146G-00	PACKING, CABLE	1	1	
19	F2N-U1467-00	BRACKET, STOPPER CABLE	1	1	
20	F2N-U142L-00	NUT, LOCK	2	2	
21	F2N-U146G-00	PACKING, CABLE	1	1	
22	90465-11829	CLAMP	1	1	
23	F1W-U828M-00	BASE, CLAMP	3	3	
24	90464-32801	CLAMP	3	3	
25	90267-489U6	RIVET, BLIND	3	3	
26	F2N-67823-00	SCREW	2	2	



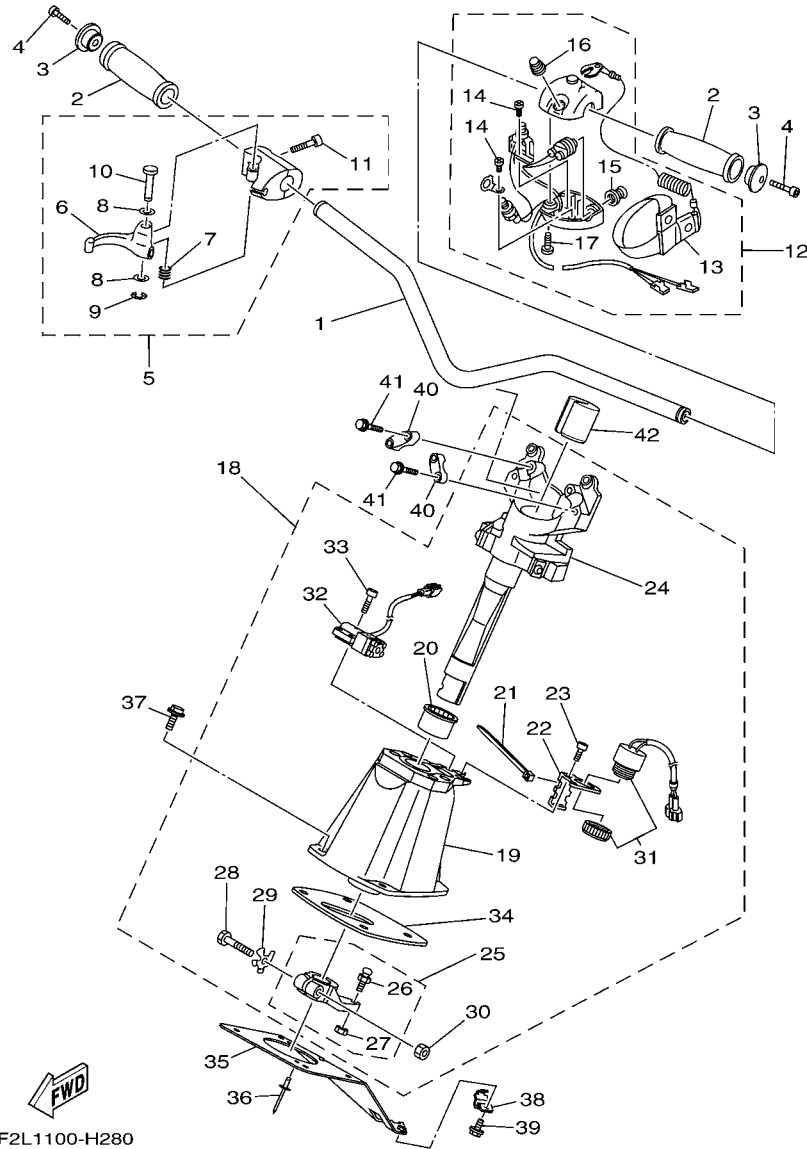
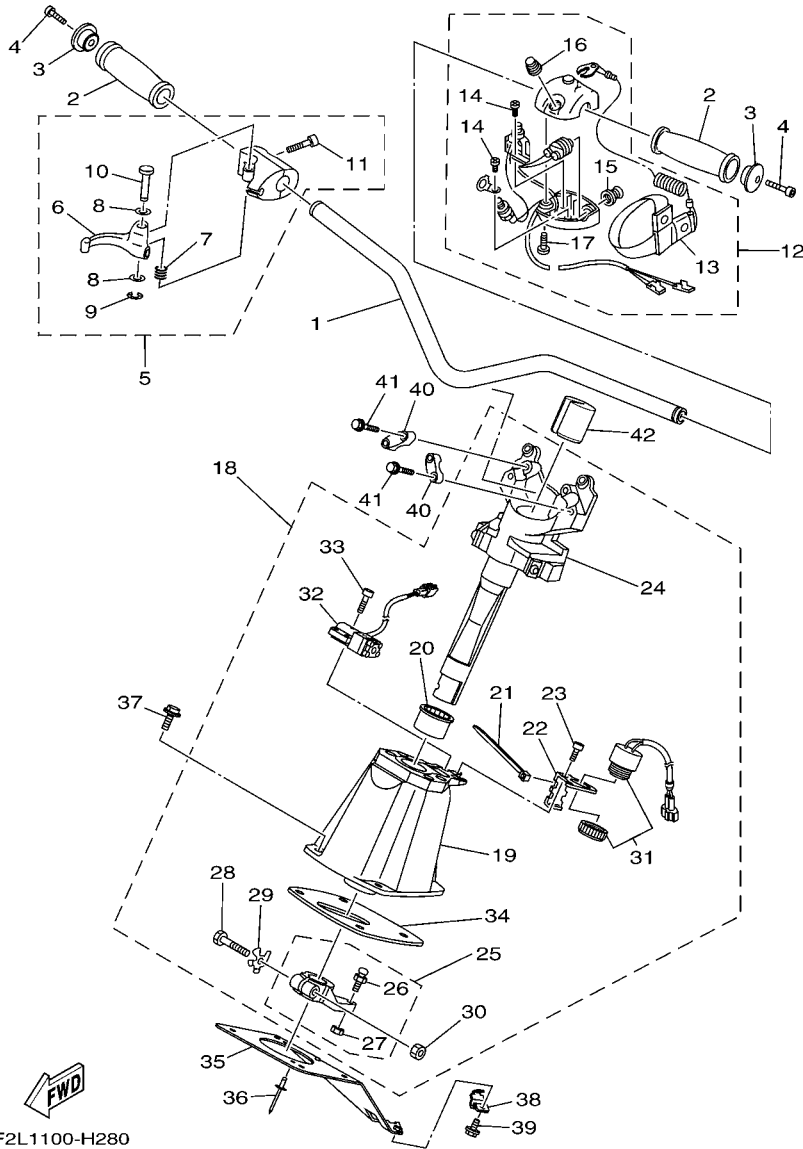


FIG. 33 STEERING 1

REF. NO.	PART NO.	DESCRIPTION	CAN	EUR			REMARKS
1	F2N-U1552-00	HANDLE	1	1			
2	GP7-U155D-01	GRIP, HANDLE	2	2			
3	GP7-U155F-00	GRIP, END	2	2			
4	90110-05908	BOLT, HEXAGON SOCKET HEAD	2	2			
5	F0D-67250-10	THROTTLE LEVER ASSY	1	1			
6	F0D-67255-02	.LEVER, THROTTLE	1	1			
7	EW2-67256-00	.SPRING	1	1			
8	EW2-67258-01	.WASHER	2	2			
9	EW2-67259-01	.E-RING	1	1			
10	F0D-67257-00	.SHAFT	1	1			
11	F1X-6725F-01	.BOLT, THROTTLE	2	2			
12	FK7-68310-07	SWITCH BOX ASSY	1	1			
13	EW2-68348-00	.LANYARD, STOP SWITCH	1	1			
14	97880-03008	.SCREW, PAN HEAD	2	2			
15	FK7-68312-02	.STOP BUTTON COMP	1	1			
16	FK7-68313-02	.START BUTTON COMP.	1	1			
17	97880-05025	.SCREW, PAN HEAD	2	2			
18	F1K-61400-01	STEERING MASTER ASSY	1	1			
19	F1K-6152M-00	.HOUSING ASSY	1	1			
20	F1K-6134M-00	.BUSH	1	1			
21	703-82591-00	.BAND	2	2			
22	F1K-6146H-10	.SPACER, BRKT.	1	1			
23	F1B-613C1-00	.SCREW	2	2			
24	F1K-67410-00	.SHAFT ASSY	1	1			
25	F1K-6153R-00	.ARM ASSY.	1	1			
26	EU0-61461-02	..STUD, JOINT BALL	1	1			
27	95720-06300	..NUT, SELF-LOCKING	1	1			

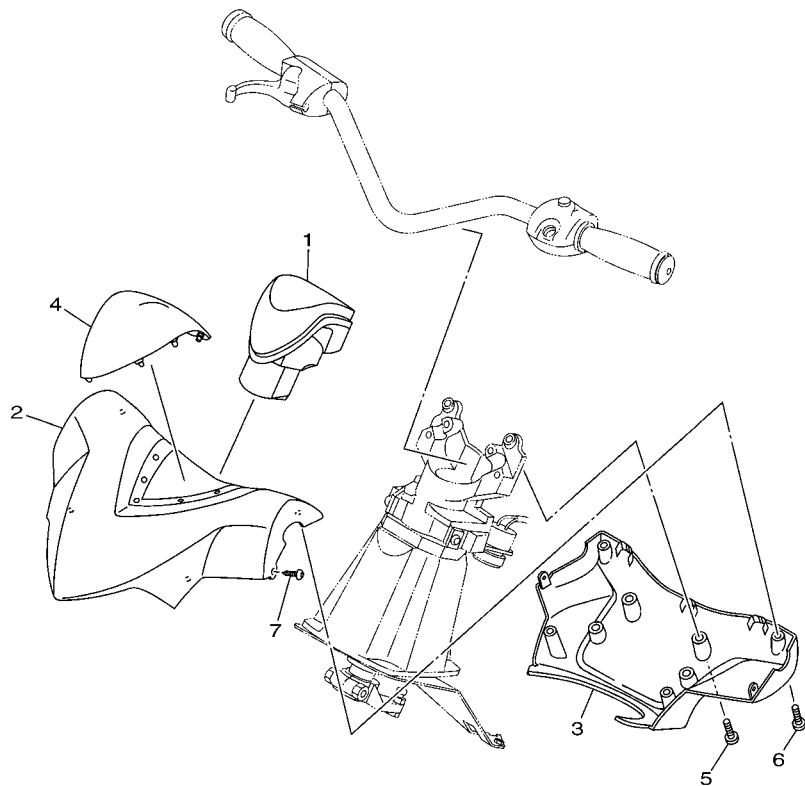


F2L1100-H280

FIG. 33 STEERING 1

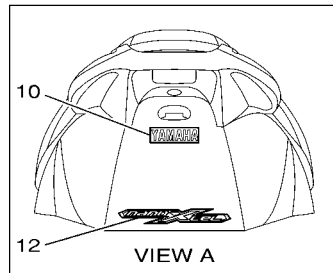
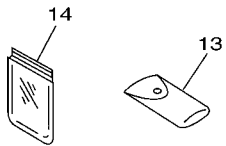
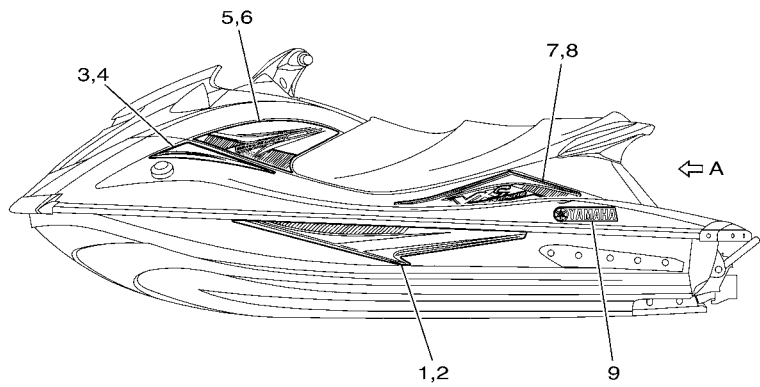
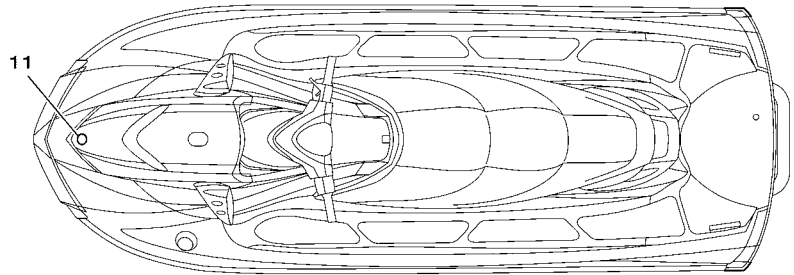
REF. NO.	PART NO.	DESCRIPTION	CAN	EUR				REMARKS
28	F1K-61355-00	.BOLT	1	1				
29	F1K-6142B-00	.PLATE, RETAINING	1	1				
30	95720-08300	.NUT, SELF-LOCKING	1	1				
31	F1S-68341-00	.BUZZER	1	1				
32	F1W-68303-00	.SENSOR ASSY	1	1				
33	F1W-61516-00	.BOLT	4	4				
34	F1K-6143C-00	.SEAL, RUBBER	1	1				
35	F1K-U1467-01	BRACKET, STOPPER CABLE	1	1				
36	90267-489U2	RIVET, BLIND	2	2				
37	90119-08836	BOLT, WITH WASHER	4	4				
38	F1K-U1468-03	STOPPER, CABLE	1	1				
39	90119-069UH	BOLT, WITH WASHER	1	1				
40	EU0-23814-31	HOLDER, HANDLE UPPER	2	2				
41	90119-08827	BOLT, WITH WASHER	4	4				
42	F1K-U1949-00	PLUG	1	1				

FIG. 34 STEERING 2



REF. NO.	PART NO.	DESCRIPTION	CAN	EUR			REMARKS
1	F1K-U156E-01	PAD 1	1	1			
2	F1K-U143D-10	PAD, STEERING 1	1	1			
3	F1K-U143E-10	PAD, STEERING 2	1	1			
4	F1K-U142D-20	COVER, PAD	1	1			
5	90154-06017	SCREW, BINDING	4	4			
6	90149-05903	SCREW	4	4			
7	90167-04003	SCREW, TAPPING	2	2			

 F2L1100-H290



FWD  
F2MK100-N350

FIG. 35 GRAPHICS

REF. NO.	PART NO.	DESCRIPTION	CAN	EUR			REMARKS
1	F2M-U417B-E0	GRAPHIC 1 (LH)	1	1			
2	F2M-U417C-E0	GRAPHIC 2 (RH)	1	1			
3	F2M-U417D-E0	GRAPHIC 3 (LH)	1	1			
4	F2M-U417E-E0	GRAPHIC 4 (RH)	1	1			
5	F2M-U417F-E0	GRAPHIC 5 (LH)	1	1			
6	F2M-U417G-E0	GRAPHIC 6 (RH)	1	1			
7	F2M-U417H-E0	GRAPHIC 7 (LH)	1	1			
8	F2M-U417J-E0	GRAPHIC 8 (RH)	1	1			
9	F1X-U411C-60	EMBLEM, YAMAHA	2	2			
10	F1X-U4114-60	MARK, YAMAHA A	1	1			
11	F1K-U411H-00	EMBLEM, TUNING FORK	1	1			
12	F1W-U4121-00	EMBLEM A	1	1			
13	F1B-65986-12	TOOL SET	1	1			
14	EU0-65901-02	BAG, VINYL	1	1			





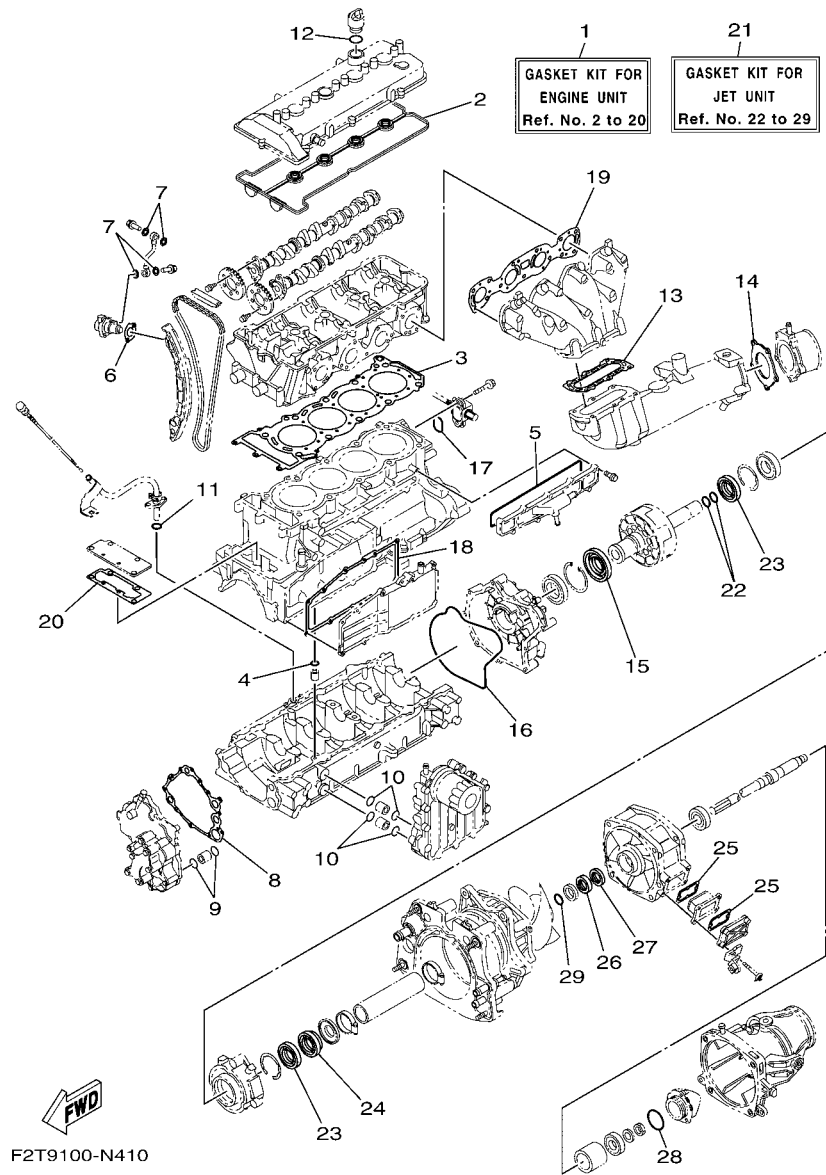


FIG. 38 REPAIR KIT 1

REF. NO.	PART NO.	DESCRIPTION	CAN	EUR		REMARKS
1	6CR-W0001-01	GASKET KIT FOR ENGINE UNIT	1	1		
2	6BH-11193-00	.GASKET, HEAD COVER 1	1	1		
3	6BH-11181-00	.GASKET, CYLINDER HEAD 1	1	1		
4	93210-11453	.O-RING	1	1		
5	6CS-12517-00	.GASKET, WATER INLET	1	1		
6	6S5-121E2-00	.GASKET	1	1		
7	90430-10007	.GASKET	4	4		
8	6S5-13563-00	.GASKET	1	1		
9	93210-21631	.O-RING	2	2		
10	93210-18322	.O-RING	4	4		
11	93210-12016	.O-RING	1	1		
12	93210-24M79	.O-RING	1	1		
13	6S5-14739-00	.GASKET, MUFFLER DAMPER 1	1	1		
14	6BH-14749-00	.GASKET, MUFFLER DAMPER 2	1	1		
15	6S5-81167-10	.OIL SEAL	1	1		
16	6S5-81168-00	.O-RING	1	1		
17	93210-32172	.O-RING	1	1		
18	6BH-13557-00	.GASKET	1	1		
19	6BH-14613-00	.GASKET, EXHAUST PIPE	1	1		
20	6BH-1131B-00	.GASKET, COVER	1	1		
21	6S5-W0001-22	GASKET KIT FOR JET UNIT	1	1		
22	93210-22MF1	.O-RING	2	2		
23	93102-29008	.OIL SEAL	2	2		
24	93102-29009	.OIL SEAL	1	1		
25	66V-42414-00	.O-RING	2	2		
26	93102-31009	.OIL SEAL	1	1		
27	93101-31001	.OIL SEAL	1	1		





NUMERICAL INDEX

PART NO.	REF. NO.	PART NO.	REF. NO.	PART NO.	REF. NO.	PART NO.	REF. NO.	PART NO.	REF. NO.	PART NO.	REF. NO.
6BH-11102-11	2 - 2	3LD-12168-A0	5 - 12	6CS-12880-00	6 - 5	6BH-14784-01-94	12 - 15	EU0-61461-02	33 - 26	6S5-81167-10	18 - 13
6BH-11119-00	2 - 14	3LD-12168-F0	5 - 12	6S5-1310A-21	9 - 1	6CR-15100-11	3 - 1	F1B-61461-02	32 - 4		38 - 15
6BH-1111E-00	2 - 12	3LD-12168-H1	5 - 12	6BH-1319K-00	3 - 34	6CS-15362-00	3 - 31	F1K-6146H-10	33 - 22	6S5-81168-00	18 - 17
6S5-11133-10	2 - 3	3LD-12168-K1	5 - 12	6BH-13300-12	8 - 1	6S5-15363-00	1 - 10	F2N-61481-00	32 - 1		38 - 16
6S5-11166-10	11 - 1	3LD-12168-M1	5 - 12	6S5-15486-10	9 - 4	6S5-15486-10	9 - 5	F1W-61516-00	33 - 33	6S5-81315-00	21 - 28
6S5-11167-10	11 - 5	3LD-12168-R1	5 - 12	6S5-13337-10	3 - 24	5EL-15511-00	19 - 6	F1B-6151S-00	32 - 3	6S5-81328-00	18 - 18
6BH-11181-00	2 - 11	3LD-12168-U1	5 - 12	6S5-13405-10	9 - 2	6S5-15515-00	18 - 3	F1K-6152M-00	33 - 19	66V-8132W-00	20 - 27
	38 - 3	3LD-12168-W1	5 - 12	6S5-13418-00	5 - 21	6S5-15517-00	18 - 5	F1K-6153R-00	33 - 25	6S5-81337-20	18 - 11
6BH-11191-20	1 - 1	3LD-12168-Y1	5 - 12	69J-13440-03	10 - 1	6S5-15521-00	18 - 4	F1K-61624-00	26 - 21	6S5-81364-10	18 - 24
6BH-11193-00	1 - 3	3LD-12169-11	5 - 12	60E-13446-00	10 - 12	6S5-15590-00	18 - 1	FOX-61637-00	26 - 24	6S5-81410-11	18 - 7
	38 - 2	3LD-12169-31	5 - 12	6S5-13446-10	8 - 5	6S5-17031-00	4 - 16	EU0-61652-00	13 - 10	6S5-81450-01	18 - 6
69J-11301-10	3 - 9	3LD-12169-50	5 - 12	6BH-13470-20	10 - 3	6S5-17525-01	4 - 13		26 - 8	6S5-81800-00	19 - 1
6BH-1131B-00	3 - 28	3LD-12169-70	5 - 12	6S5-13477-00	9 - 3	6S5-17572-01	4 - 10	FOX-61652-00	26 - 25	6S5-81810-00	19 - 13
	38 - 20	3LD-12169-90	5 - 12	6BH-13532-00	6 - 20	6BH-17586-10	4 - 15	EW2-62142-00	30 - 2	6S5-81820-00	19 - 12
6BH-1131C-00	3 - 27	3LD-12169-E0	5 - 12	6BH-13556-00	10 - 4	EU0-23814-31	33 - 40	F1G-62149-00	30 - 8	6S5-81826-00	19 - 10
6S5-1131M-10-8P	3 - 17	3LD-12169-G0	5 - 12	8FP-13556-10	6 - 14	6S5-24300-01	6 - 21	F2F-6214A-00	30 - 1	6S5-81830-00	19 - 3
68V-11325-02	3 - 10	3LD-12169-J0	5 - 12	6BH-13557-00	3 - 18	70R-24489-00	30 - 4	GJ3-6215F-00	22 - 12	6S5-81840-00	19 - 8
67F-11328-00	3 - 11	3LD-12169-L0	5 - 12		38 - 18	70R-24543-00	30 - 3	GU2-62875-02	24 - 17	11H-81844-00	19 - 2
6S5-11377-00	3 - 16	6BH-12171-10	5 - 1	6S5-13563-00	8 - 2	6BU-26311-00	21 - 2	FOX-6378C-00	29 - 6	4G0-81844-00	19 - 4
6S5-11411-00	4 - 1	6D3-12176-10	5 - 3		38 - 8	67F-2812A-00	20 - 29	F2M-6517C-00	25 - 8	66V-81844-00	20 - 28
6S5-11416-00	4 - 2	6BH-12181-10	5 - 2	6BH-13641-10	6 - 2	6BH-41661-00-94	23 - 4	FOX-6517R-01	24 - 16	5EL-81845-00	19 - 11
6S5-11416-10	4 - 2	6S5-121E2-00	5 - 19	6BH-13750-00	6 - 1	6BH-41662-00-94	23 - 5	GA7-65772-00	31 - 4	6BH-81845-00	20 - 8
6S5-11416-20	4 - 2		38 - 6	6S5-13761-10	6 - 12	66V-42414-00	14 - 9	EU0-65901-02	35 - 14	3TB-81847-00	19 - 9
6S5-11416-30	4 - 2	6S5-12210-00	5 - 18	6S5-13907-00	22 - 1		38 - 25	F1B-65986-12	35 - 13	6BH-81847-00	20 - 30
6S5-11416-40	4 - 2	6S5-12228-01	2 - 7	6BH-14126-00	6 - 4	67X-44517-10	23 - 1	FOD-67250-10	33 - 5	1J7-81847-60	19 - 5
6S5-11459-01	4 - 14	6BH-12241-00	5 - 25	6BH-14156-00	6 - 3	663-45119-00	15 - 11	FOD-67255-02	33 - 6	5A8-81850-10	19 - 14
6S5-11603-00	4 - 4	6BH-12251-00	5 - 24	6CR-14163-00	6 - 11	6S5-45332-00-94	15 - 4	EW2-67256-00	33 - 7	6B6-81940-00	20 - 26
6BH-11631-00-B0	4 - 3	6BH-12252-00	5 - 15	68V-1416A-00	6 - 13	6S5-45511-00	14 - 17	FOD-67257-00	33 - 10	6S5-81942-10	20 - 9
6S5-11633-00	4 - 5	6BH-12279-00	5 - 16	6S5-14285-00	6 - 17	6S5-45593-00-94	15 - 12	EW2-67258-01	33 - 8	60E-81950-00	20 - 24
6BH-11650-10	4 - 7	6S5-12289-00	4 - 11	6CN-14294-10	6 - 22	6S5-45613-10	15 - 9	EW2-67259-01	33 - 9	68V-81950-00	20 - 25
6S5-11654-10	4 - 8		15 - 13	6D3-14305-21	21 - 1	6S5-45813-01-94	4 - 12	F1X-6725F-01	33 - 11	6S5-81960-10	21 - 8
6S5-11656-40	4 - 9	6D3-12411-00	2 - 16	6BH-14445-00	6 - 19	6BH-4581J-00	15 - 1	F1K-67410-00	33 - 24	6S5-81972-01-94	21 - 10
6S5-11656-50	4 - 9	6BH-12413-00	2 - 17	6CS-14445-00	6 - 30	6S5-5111K-00	14 - 21	F2P-67743-00	30 - 37	6S5-81975-00	21 - 9
6S5-11656-60	4 - 9	6S5-1243E-01	13 - 11	6CS-14446-00	6 - 7		38 - 28	F1B-67747-00	30 - 14	EU0-82110-09	22 - 4
6S5-11656-70	4 - 9	60E-12443-00	13 - 8	6D3-1444B-00	6 - 15	68N-5112T-00	26 - 3	EU0-67767-31	30 - 26	6S5-82115-00	20 - 16
6S5-12111-00	5 - 5	6BH-1244H-00	13 - 22	6S5-14457-00	6 - 18	66V-51312-01-94	14 - 4	EW2-67821-00	31 - 3	6S5-82116-00	22 - 34
6S5-12113-00	5 - 8	6CS-12469-A0	3 - 21	6CR-14536-00	6 - 10	6S5-51315-01-94	14 - 7	F2N-67823-00	25 - 20	6S5-82117-00	20 - 17
6S5-12116-00	5 - 7	6CS-12517-00	3 - 22	6CR-14572-00	6 - 29	6S5-51323-00	15 - 2		32 - 26	67F-82151-00	20 - 19
6S5-12117-00	5 - 9		38 - 5	6BH-14613-00	12 - 1	6BH-51348-01	14 - 24	F2N-67823-10	24 - 13	67F-82151-10	20 - 20
3LD-12118-00	5 - 10	6BH-12577-00	13 - 27		38 - 19	6D3-52358-00	16 - 8	F1K-6820A-20	22 - 14	67F-82151-30	20 - 21
51Y-12119-00	5 - 11	6S5-12578-00	2 - 19	6BH-14711-10	12 - 2	F1K-6134M-00	33 - 20	GU2-6822E-01	22 - 16	67F-82151-40	20 - 22
6S5-12121-00	5 - 6	6S5-12579-00	13 - 29	6BH-14721-10	12 - 6	F1K-61355-00	33 - 28	6S5-682E0-00	22 - 2		20 - 23
6S5-12153-00	5 - 13	63M-12580-00	13 - 5	6S5-14739-00	12 - 7	F1B-613C1-00	33 - 23	F1W-68303-00	33 - 32	6D3-82157-00	20 - 18
3LD-12168-00	5 - 12	60E-12581-00	13 - 4		38 - 13	F1K-61400-01	33 - 18	FK7-68310-07	33 - 12	6BH-82170-00	20 - 15
3LD-12168-20	5 - 12	6BH-12584-00	13 - 15	6BH-14749-00	12 - 14	F1K-6142B-00	33 - 29	FK7-68312-02	33 - 15	6S5-82310-00	21 - 16
3LD-12168-40	5 - 12	6CN-12588-00	13 - 24		38 - 14	F1B-6143B-00	32 - 2	FK7-68313-02	33 - 16	61N-82317-00	1 - 7
3LD-12168-60	5 - 12	6S5-12589-01	13 - 20	6CS-1475A-00	12 - 18	F1K-6143C-00	33 - 34	F1S-68341-00	33 - 31	6A0-82317-00	20 - 13
3LD-12168-80	5 - 12	6S5-12858-00	10 - 2	6S5-14771-00-94	12 - 11	F2N-61460-00	32 - 5	EW2-68348-00	33 - 13	6BH-82380-00	6 - 9

NUMERICAL INDEX

PART NO.	REF. NO.	PART NO.	REF. NO.	PART NO.	REF. NO.	PART NO.	REF. NO.	PART NO.	REF. NO.	PART NO.	REF. NO.
68V-82504-00	21 - 27	F2N-U142L-00	24 - 14	F1K-U283B-02	25 - 16	F1B-U41F5-21	37 - 8	GJ1-U7578-21	22 - 18	F2C-U8577-03	17 - 6
60E-82556-00	22 - 3		31 - 20	F1X-U2873-00	30 - 33	F2N-U4261-00	31 - 14	F1S-U757B-01	31 - 19	F2M-U883B-00	15 - 23
6CR-82560-00	21 - 22		32 - 20	F2P-U351H-00	27 - 14	F2N-U471E-00	25 - 25	F1K-U757E-01	17 - 12	F2N-U883E-00	15 - 20
703-82591-00	33 - 21	F2S-U1438-00	32 - 15	F2P-U351J-00	27 - 15	F1K-U471E-03	25 - 15	F1K-U757F-01	17 - 13	F1S-U883N-01	26 - 27
6S5-8259E-00	20 - 32	F1K-U143D-10	34 - 2	F2P-U351K-00	27 - 16	F2N-U471F-00	25 - 27	F2N-U758D-00	31 - 16	F1S-U883P-01	26 - 28
6CN-8259L-10	20 - 34	F1K-U143E-10	34 - 3	F2P-U351M-00	27 - 17	F2N-U475B-04	24 - 1	F1K-U759B-00	30 - 39	F1X-U883T-01	26 - 29
6CS-8273J-00	21 - 29	F2M-U143G-00	17 - 3	F2P-U351N-00	27 - 18	F1W-U475F-01	24 - 5	F1K-U759C-00	25 - 32	F1K-U892D-00	15 - 24
60E-83627-00	20 - 10	F0V-U1461-00	32 - 17	F2P-U3581-00	27 - 13	F1W-U491K-00	27 - 2		30 - 42	F1S-U8K31-02	22 - 19
682-84385-01	13 - 9	EU0-U1461-02	16 - 11	F2N-U371A-72	29 - 1	F2C-U4953-10	26 - 19		31 - 11	6CR-W0001-01	38 - 1
6CS-85516-00	3 - 35	F2N-U1467-00	32 - 19	F2N-U371B-71	29 - 2	GP7-U4953-10	26 - 18	F2P-U759C-00	30 - 40	6S5-W0001-22	38 - 21
6CS-8572F-00	3 - 33	F1K-U1467-01	33 - 35	GH1-U3774-00	29 - 10		29 - 18	F1W-U759C-01	30 - 41	6BH-W009A-02-94	2 - 1
61A-85790-00	21 - 20	F1K-U1468-03	33 - 38	F2C-U3850-00	29 - 4	F1K-U515A-00	25 - 10	F1B-U761D-02	26 - 10	6CR-W009B-10-94	3 - 4
6AA-85790-00	21 - 33	F1W-U146G-00	32 - 18	F1X-U4114-60	35 - 10	F2N-U516N-00-P4	24 - 7	F2S-U7711-02	30 - 12	90101-069U0	17 - 16
65L-85886-00	6 - 16	F2N-U146G-00	32 - 21	F1X-U411C-60	35 - 9	F2N-U516P-00	24 - 8	6CN-U773D-00	14 - 28	90105-06028	1 - 2
60E-85896-00	21 - 25	F2N-U149C-00	32 - 14	F1K-U411H-00	35 - 11	F2M-U517B-00-P1	25 - 1	F1B-U7773-00	30 - 13	90105-06035	2 - 18
6CN-8591A-20	20 - 11	F2C-U151S-00	22 - 20	F1W-U4121-00	35 - 12	F1K-U517D-05	25 - 12	F2N-U7831-10	30 - 16	90105-06184	10 - 6
6B6-86261-00	22 - 35	F2S-U151S-00	32 - 16	F1X-U413P-02	37 - 13	F1X-U517E-01	25 - 22	GP7-U7832-01	30 - 17	90105-06185	10 - 7
6B6-86261-10	22 - 35	F2N-U1552-00	33 - 1	F1S-U415B-11	36 - 5	F2N-U517F-00	25 - 21	GP7-U7833-11	30 - 18	90105-06826	25 - 17
6B6-86265-00	22 - 36	GP7-U155D-01	33 - 2		37 - 5	F2N-U517H-01	24 - 15	GP7-U7834-00	30 - 21	90105-06903	21 - 17
6B6-86265-10	22 - 36	GP7-U155F-00	33 - 3	GP8-U416H-01	37 - 12	F1K-U517R-00	25 - 14	GP7-U7835-00	30 - 19	90105-06M07	3 - 12
6BH-E110M-00	1 - 4	F1K-U156E-01	34 - 1	F2M-U417B-E0	35 - 1	F2M-U517V-00	25 - 4	GP7-U783F-00	30 - 23	90105-07004	5 - 4
6S5-E118E-00	1 - 6	F2N-U1628-02	26 - 16	F2M-U417C-E0	35 - 2	F1K-U518E-04	25 - 11	F2P-U7844-00	30 - 24	90105-07009	2 - 6
6S5-E1328-00	1 - 5		29 - 17	F2M-U417D-E0	35 - 3	F2P-U519D-00	24 - 18	F0D-U7856-10	30 - 32	90105-08021	3 - 39
67X-E2590-10	13 - 35	F1B-U1653-02	26 - 20	F2M-U417E-E0	35 - 4	F1K-U5772-04	22 - 7	F1K-U785G-00	30 - 30	90105-08054	10 - 9
6S5-E4410-01	7 - 6	F2C-U1743-00	25 - 7	F2M-U417F-E0	35 - 5		25 - 30	F0D-U785G-10	22 - 10	90105-08169	10 - 10
6BH-E4419-00	7 - 12	F1K-U1949-00	33 - 42	F2M-U417G-E0	35 - 6		30 - 35	GP7-U785H-00	30 - 27	90105-08170	10 - 11
6S5-E4436-00	7 - 8	F2N-U2127-00	28 - 1	F2M-U417H-E0	35 - 7		31 - 6	F2N-U8169-00	26 - 31	90105-08243	6 - 6
6S5-E4451-00	7 - 7	F2M-U213B-00	25 - 2	F2M-U417J-E0	35 - 8	F2N-U596B-00	25 - 24	F1K-U8211-01	22 - 6	90105-08249	18 - 15
6S5-E4752-00	12 - 17	F2N-U213G-01	28 - 2	F1G-U418F-00	36 - 9	F2N-U596C-00	25 - 26	F1K-U821D-01	22 - 9	90105-08860	26 - 30
6S5-G2717-00	7 - 9	F1W-U2159-00	30 - 6		37 - 9	F1K-U5983-01	25 - 33	F1K-U8221-00	22 - 5	90105-10071	3 - 5
6CN-G4532-00	23 - 2	F2N-U2187-00	28 - 6	F1S-U419E-01	36 - 11	GD0-U7249-00-05	15 - 19	F1S-U8221-00	20 - 7	90109-06268	3 - 38
6CN-G4574-00	23 - 3	F2N-U2188-00	28 - 7	GJ1-U419F-21	36 - 12	F2N-U7254-00	21 - 5		31 - 2	90109-06832	15 - 21
6AN-G5214-00-94	14 - 10	F1S-U2280-02	26 - 32		37 - 11	F1S-U725E-01	14 - 38		31 - 15	90109-06874	23 - 11
6CS-G5538-00	14 - 13	F1S-U2285-00	26 - 33	F2N-U41B1-10	36 - 1	6CN-U72M2-00	14 - 27	F1W-U826C-00	22 - 32	90109-06875	23 - 10
6AN-G5831-00	14 - 1	F2N-U2511-30	27 - 1		37 - 1	F2M-U732B-00	23 - 12	F1K-U826C-03	26 - 39	90109-08041	17 - 9
6AN-G6882-00	14 - 8	F1K-U2512-30	27 - 6	F1B-U41B1-21	36 - 2		23 - 13	F1S-U828H-01	20 - 2	90110-05908	33 - 4
6BH-R1142-10	7 - 13	F1K-U2519-20	27 - 7		37 - 2	EU0-U7354-00-01	23 - 9	F2P-U828K-00	25 - 34	90110-06040	26 - 26
6BU-R1313-00	14 - 35	F1K-U251D-30	27 - 10	F1B-U41B1-31	36 - 3	EU0-U7354-00-03	23 - 9	F1W-U828M-00	20 - 3	90110-06182	3 - 25
6D3-R1314-00	16 - 1	F1K-U251E-30	27 - 11		37 - 3	EU0-U7354-00-05	23 - 9		22 - 22	90110-06822	14 - 22
6BU-R1318-01	14 - 26	F2N-U2663-01	25 - 6	F1B-U41B2-01	36 - 4	EU0-U7354-00-10	23 - 9		22 - 25	90110-08212	18 - 2
6AP-R1321-01	14 - 23	F2N-U2664-00	29 - 3		37 - 4	EU0-U7354-00-20	23 - 9		22 - 29	90111-05008	22 - 15
6AN-R1326-00-94	14 - 20	F1K-U266C-00	24 - 9	F0V-U41D5-31	36 - 6	F1B-U751G-00	31 - 18		28 - 3	90111-06803	27 - 3
6CN-R1333-00	17 - 1	F2N-U266C-01	24 - 2		37 - 6	F2C-U753B-01	31 - 21		30 - 9	90116-08032	6 - 27
6D3-R1341-00	14 - 34	F1W-U269B-00	26 - 7	F0V-U41DB-12	36 - 7	F1W-U753C-01	31 - 9		31 - 24	90119-059U4	25 - 9
6S5-R1381-01	15 - 17	F2N-U2714-01	32 - 12		37 - 7	F1W-U7550-02	31 - 1		32 - 23	90119-06048	21 - 12
F2N-U134A-00	32 - 9	F2N-U271B-10	29 - 9	F1S-U41E1-11	36 - 10	F1W-U7555-01	31 - 8	F2P-U8376-00	31 - 6	90119-06091	20 - 31
F1K-U135C-01	25 - 13	F2C-U2733-00	31 - 23		37 - 10	F1K-U7557-01	17 - 8	F1W-U8572-01	26 - 38	90119-06880	24 - 11
F1K-U142D-20	34 - 4	F1K-U273B-06	17 - 2	F1B-U41F5-21	36 - 8	F2C-U7564-00	31 - 22	F1G-U8572-02	17 - 5		25 - 23

NUMERICAL INDEX

PART NO.	REF. NO.	PART NO.	REF. NO.	PART NO.	REF. NO.	PART NO.	REF. NO.	PART NO.	REF. NO.	PART NO.	REF. NO.
90119-06882	17 - 15	90201-052E8	18 - 21	90387-08M37	21 - 13	90464-35132	13 - 19	91314-06020	8 - 4	93210-24M79	1 - 11
	24 - 12	90201-06028	9 - 8	90401-10040	5 - 23	90464-40825	7 - 14	91314-06060	9 - 7		38 - 12
90119-06891	15 - 16	90201-06801	16 - 6	90430-06232	10 - 8	90464-99804	28 - 5	91317-05010	18 - 20	93210-30611	14 - 25
90119-06893	14 - 5		16 - 9	90430-06M03	3 - 13	90465-11829	14 - 32	91317-06014	18 - 19		38 - 29
90119-06897	14 - 11	90201-06906	32 - 6	90430-08209	9 - 10		22 - 13	91380-06016	21 - 26	93210-32172	21 - 30
90119-069UH	30 - 34	90201-099U3	29 - 7	90430-10007	5 - 22		26 - 12	91380-06020	18 - 23		38 - 17
	33 - 39	90201-10801	14 - 39		38 - 7		30 - 28	91380-06025	5 - 20	93306-00805	18 - 12
90119-069UP	29 - 5	90201-109U6	29 - 11	90430-12002	17 - 11		30 - 29	91809-16002	2 - 4	93306-20654	14 - 12
90119-069UX	16 - 4	90201-12039	2 - 8	90445-14807	14 - 30		30 - 31		2 - 5	93306-20655	15 - 7
90119-06M35	20 - 12	90267-329UR	30 - 22	90445-16013	13 - 33		32 - 22	92014-06012	2 - 13	93306-30537	14 - 14
90119-06MA3	21 - 11	90267-48802	20 - 4	90445-18012	13 - 16	90465-13M18	21 - 19	92903-06600	2 - 10	93410-12003	19 - 7
	21 - 31	90267-48806	28 - 8	90445-20800	26 - 4	90465-14M66	20 - 35	92903-08600	6 - 26	93450-24028	4 - 6
90119-08034	12 - 4	90267-48963	27 - 12	90445-20804	26 - 1	90467-089U1	22 - 11		19 - 16	93450-66156	15 - 6
	12 - 10	90267-489U1	13 - 36	90445-21806	13 - 1	90467-150A1	3 - 36	9290P-20600	14 - 18	93604-10M03	3 - 8
90119-08096	12 - 12		21 - 4	90446-20MF5	14 - 31		13 - 23	92990-06100	19 - 17		10 - 5
90119-08097	12 - 5		21 - 7	90446-27M55	26 - 5	90467-150A5	13 - 6	92990-10600	21 - 21	93606-12019	3 - 7
	12 - 9		22 - 8	90446-27M73	26 - 2	90467-160A0	13 - 18	92990-12200	17 - 10		8 - 3
90119-08823	17 - 4		25 - 31	90447-06803	32 - 8		13 - 26		26 - 23		12 - 8
	23 - 8		26 - 40	90447-19005	13 - 17		13 - 28	92995-06600	21 - 24		14 - 6
90119-08827	33 - 41		30 - 36	90447-19011	13 - 30		13 - 31	92995-08600	3 - 15		15 - 14
90119-08836	33 - 37		31 - 5	90447-19020	6 - 23		13 - 34	9299R-05200	26 - 35	93608-16M16	12 - 3
90119-08840	14 - 36		31 - 7	90447-19021	13 - 25	90467-170A5	13 - 32		27 - 9	93700-06M03	15 - 10
	16 - 2	90267-489U2	23 - 14	90447-19801	13 - 7	90467-17802	31 - 27	9299R-06200	25 - 19	94591-66152	5 - 14
90119-08859	23 - 7		30 - 5	90447-22011	13 - 12	90467-18804	26 - 6		27 - 4	94702-00427	21 - 18
90119-089U2	29 - 14		33 - 36	90447-22015	11 - 2	90467-190A0	11 - 3		32 - 11	95023-06012	6 - 31
90119-089U7	17 - 18	90267-489U6	22 - 23	90447-22016	11 - 6		11 - 4	9299R-08200	25 - 28	95024-06014	3 - 19
	30 - 38		22 - 28	90447-22801	13 - 2	90467-200A0	26 - 14		26 - 42	95024-06020	3 - 20
90119-089UT	20 - 1		22 - 30	90447-28008	2 - 20	90467-200A3	11 - 8		29 - 15		9 - 12
90119-089UU	15 - 18		28 - 4	90450-17M17	6 - 24		13 - 3	9299R-10200	29 - 12	95024-06035	9 - 11
90119-08M22	7 - 3		30 - 7	90450-90002	7 - 4		13 - 13	93101-31001	14 - 16	95024-08035	12 - 16
	21 - 14		30 - 10		7 - 5		13 - 14		38 - 27	95380-06700	19 - 18
90119-10029	12 - 13		31 - 25	90450-99015	12 - 20		13 - 21	93102-29008	15 - 5	9538R-06600	16 - 7
90119-10806	14 - 33		32 - 25	90450-99016	12 - 19	90467-21800	26 - 13		38 - 23		16 - 10
90119-10808	17 - 7	90267-489U8	26 - 11	90450-99801	31 - 12	90467-240A0	2 - 21	93102-29009	15 - 8	9538R-06700	32 - 7
90119-10810	14 - 3		27 - 8		31 - 17		11 - 7		38 - 24	95720-06300	33 - 27
90149-05903	25 - 3	90267-489U9	22 - 33	90450-99804	31 - 13	90467-250A0	26 - 15	93102-31009	14 - 15	95720-08300	33 - 30
	25 - 5	90269-08801	24 - 4	90464-20008	21 - 32	90480-20132	21 - 36		38 - 26	9572R-05300	26 - 36
	34 - 6		24 - 6	90464-31001	21 - 34	90480-22801	7 - 11	93210-06632	3 - 32	9572R-06300	17 - 17
90149-06229	18 - 8	90280-03047	18 - 10	90464-31002	21 - 35	90480-22M15	7 - 1	93210-11453	3 - 3		25 - 18
90149-10052	23 - 6	90387-06080	17 - 14	90464-32801	20 - 5		21 - 15		38 - 4		27 - 5
90150-05807	22 - 21	90387-06119	1 - 8		22 - 17	90480-38800	20 - 6	93210-12016	3 - 37		30 - 15
90151-06815	32 - 13		20 - 14		22 - 24	90601-118UF	14 - 29		38 - 11		32 - 10
90154-06017	34 - 5	90387-06289	15 - 15		22 - 26		26 - 9	93210-18322	10 - 13	9572R-08300	25 - 29
90167-04003	34 - 7	90387-06M05	18 - 22		22 - 31	90601-155U4	15 - 22		38 - 10		26 - 17
90169-049U1	30 - 20	90387-06M30	16 - 5		26 - 37		30 - 25	93210-21631	8 - 6		26 - 41
90170-20802	14 - 19	90387-08M06	14 - 37		30 - 11	90601-170UG	31 - 10		38 - 9		29 - 8
90176-08080	6 - 28	90387-08M30	16 - 3		31 - 26	90601-200U2	22 - 27	93210-22MF1	15 - 3		29 - 16
90183-06902	24 - 10	90387-08M37	7 - 2		32 - 24	90605-502U1	24 - 3		38 - 22		29 - 19

NUMERICAL INDEX

PART NO.	REF. NO.	PART NO.	REF. NO.	PART NO.	REF. NO.	PART NO.	REF. NO.	PART NO.	REF. NO.
9572R-10300	14 - 40								
	29 - 13								
95780-08300	21 - 3								
95814-06016	3 - 30								
95814-06030	5 - 17								
95814-06035	3 - 23								
95814-06070	3 - 6								
95814-08020	3 - 29								
	9 - 9								
95817-06014	9 - 6								
95824-06025	1 - 9								
97013-06055	2 - 9								
97013-08030	19 - 15								
97013-08035	6 - 25								
97095-06016	21 - 23								
97095-08040	3 - 14								
97513-05514	18 - 9								
97513-08525	6 - 8								
97513-10525	2 - 15								
97780-60516	7 - 10								
97780-60520	20 - 33								
97880-03008	33 - 14								
97880-05025	33 - 17								
9788R-05025	26 - 34								
99009-72500	18 - 14								
99530-10114	3 - 2								
	3 - 26								
	18 - 16								
99590-14016	14 - 2								
99780-12600	26 - 22								